



# Fitting Standards

Rev: 12.2015



**PureGuard LLC**  
A Critical Process Systems Group Company

**Fitting: Index**

- 1-0 Cover Sheet
- 1-1 Index

**Duct and Angle Ring Specifications:**

- 1-2 Straight Duct Gauge Requirements - 4' Lengths
- 1-3 Straight Duct Gauge Requirements - 5' Lengths
- 1-4 Straight Duct Gauge Requirements - 8' Lengths
- 1-5 Angle Ring Specifications

**Straight Duct & Elbows:**

- 1-7 SS-100 Round Straight Duct
- 1-8 SS-101 Round Duct Offset
- 1-12 SS-130 90° Long Radius 5-Gore Mitered Elbow
- 1-13 SS-131 90° Short Radius 5-Gore Mitered Elbow
- 1-14 SS-133 60° Long Radius 4-Gore Mitered Elbow
- 1-15 SS-134 60° Short Radius 4-Gore Mitered Elbow
- 1-16 SS-135 45° Long Radius 3-Gore Mitered Elbow
- 1-17 SS-136 45° Short Radius 3-Gore Mitered Elbow
- 1-18 SS-137 30° Long Radius 2-Gore Mitered Elbow
- 1-19 SS-138 30° Short Radius 2-Gore Mitered Elbow
- 1-20 SS-139 15° 2-Gore Mitered Elbow

**Reducers & Transitions:**

- 1-23 SS-160 Concentric Reducer: SS-160
- 1-24 SS-165 Eccentric Reducer: SS-165

**Shop Installed Taps:**

- 1-25 SS-171 Straight Duct w/ Drain
- 1-26 SS-172 Straight Duct w/ Straight Tap
- 1-27 SS-175 Straight Duct w/ Conical Tap
- 1-28 SS-177 Straight Duct w/ Shoe Tap
- 1-29 SS-182 Straight Duct w/ 45° Lateral Tap
- 1-30 SS-186 45° Reducing Wye
- 1-31 SS-188 45° Reducing Wye
- 1-32 SS-190 Straight Duct w/ Tangential Straight Tap
- 1-33 SS-192 Straight Duct w/ Tangential 45° Lateral Tap
- 1-34 SS-195 Wye
- 1-36 SS-198 Straight Duct w/ Multiple Tap Styles

**Custom Fittings:**

- 1-37 SS-199 Custom Fitting

**Field Installed Saddle Tap & Bulkhead Connections:**

- 1-40 SS-172-FT Field Installed Straight Saddle Tap
- 1-41 SS-175-FT Field Installed Conical Saddle Tap
- 1-42 SS-177-FT Field Installed Shoe Saddle Tap
- 1-43 SS-182-FT Field Installed 45° Lateral Saddle Tap

**Field Installed Fittings, Rings, Clamps & End Caps:**

- 1-44 SS-202-FT Field Installed Flange for 2" & 3" Quick Clamp
- 1-45 SS-204-FT Field Installed 2" Dia Bulkhead Flange
- 1-46 SS-219-FT Field Installed MNPT Nipple
- 1-47 SS-223-FT Field Installed Sample Ports
- 1-50 SS-200 Angle Rings
- 1-51 SS-201 Quick Clamps
- 1-52 SS-205 End Cap
- 1-53 SS-206 Clear View Cover

**Field Installed Fittings, Rings, Clamps & End Caps:**

- 1-54 SS-208 End Cap for Quick Clamp
- 1-55 SS-209 Special Plate Flange
- 1-56 SS-250 No Loss Stack Cap

**QC Flange Adapters:**

- 1-60 SS-215 QC Flange to Angle Ring Adapter
- 1-61 SS-216 QC Flange to KF Flange Adapter
- 1-62 SS-217 QC Flange to ISO Flange Adapter
- 1-63 SS-218 QC Flange to Sanitary Flange Adapter
- 1-64 SS-220 QC Flange to Male / Female NPT
- 1-65 SS-221 QC Flange to PITOT Tube Adapter
- 1-66 SS-222 QC Flange to Sprinkler Adapter
- 1-71 SS-293 ISO Flange to Dual Guard Adapter
- 1-72 SS-294 KF Flange to Dual Guard Adapter

**Dampers:**

- 1-80 SS-300-A 4" - 20" Butterfly Damper
- 1-81 SS-300-B 4" -20" Butterfly Damper with Blade Seal
- 1-82 SS-300-C 22" - 34" Butterfly Damper
- 1-83 SS-300-D 36" - 48" Butterfly Damper
- 1-84 SS-300-E > 48" Butterfly Damper
- 1-87 SS-315 4" - 20" Wafer Damper
- 1-88 SS-325 4" - 36" Horizontal Run Slide Gate Damper
- 1-89 SS-326 4" - 36" Vertical Run Slide Gate Damper
- 1-90 SS-327 > 36" Horizontal Run Dual Slide Gate Damper
- 1-91 SS-328 > 36" Vertical Run Dual Slide Gate Damper

**Supplies & Gaskets:**

- 1-100 SS-401 Tools & Supplies
- 1-101 SS-402 Goretex PTFE Gasket

**2" & 3" Fittings:**

- 2-2 SS-100-2/3 2" & 3" Straight Duct
- 2-3 SS-110-2/3 2" & 3" Long Radius 90° Sweep Elbow
- 2-4 SS-115-2/3 2" & 3" Long Radius 45° Sweep Elbow
- 2-5 SS-160-2/3 2" & 3" Standard Reducer
- 2-6 SS-170-2/3 2" & 3" Standard Tee
- 2-7 SS-172-2/3 2" & 3" Field Installed Straight Saddle Tap
- 2-8 SS-182-2/3 2" & 3" Standard Lateral
- 2-9 SS-208-2/3 2" & 3" End Cap
- 2-10 SS-300-2/3 2" & 3" Butterfly Damper
- 2-11 SS-325-2/3 2" & 3" Horizontal Run Slide Gate Damper
- 2-12 SS-326-2/3 2" & 3" Vertical Run Slide Gate Damper

**Rectangular Duct:**

- 3-2 Rectangular Flange and Gauge Standards
- 3-3 SS-105 Rectangular Straight Duct
- 3-4 SS-106 Rectangular Duct Offset
- 3-5 SS-147 Custom Rectangular Mitered Elbow
- 3-6 SS-148 Custom Rectangular Sweep Elbow
- 3-7 SS-161 Concentric Transition
- 3-8 SS-162 Eccentric Transition
- 3-9 SS-196 Rectangular Duct with Multiple Tap Styles
- 3-10 SS-210 Rectangular End Cap
- 3-20 SS-380 Parallel Blade Backdraft Damper
- 3-21 SS-385 Opposed Blade Rectangular Damper

**PureGuard LLC**

1010 South 65th Ave., No. 100, Phoenix, AZ 85043  
 T 623.478.1800 / F 623.478.1860  
 Email: info@pureguard2.com

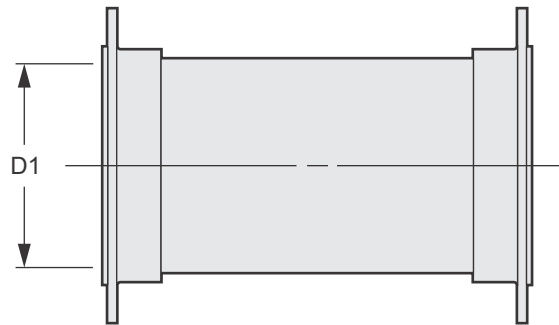
Fitting: **Straight Duct Gauge Requirements - 4' Lengths**

Ring Type | **SS** Stainless Steel Rings - Avail 4" - 120"Ø  
**BI** Black Iron (coated) Rings - Avail 4" - 48"Ø  
**QC** Quick Clamp - Avail 2" - 14"Ø

Ring | Rings are loose < 32" diameter  
Rings are fixed 32" diameter and larger

PureGuard II is FM Approved for use without sprinklers, subject to the conditions of approval as a Fume and/or Exhaust Duct, when installed in accordance with instructions shown in the current edition of the FM Approval Guide.

**PureGuard II Standards**



DUCT DIA.	MIN GAUGE REQUIREMENTS AT VARYING VACUUM LEVELS BASED ON 4'-0" SPACING FOR STIFFENERS SMACNA ROUND INDUSTRIAL STANDARDS							
	"D1"	-6" WC	-8" WC	-10" WC	-12" WC	-14" WC	-16" WC	-18" WC
2	20	20	20	20	20	20	20	20
4	20	20	20	20	20	20	20	20
6	20	20	20	20	20	20	20	20
8	20	20	20	20	20	20	20	20
10	20	20	20	20	20	20	20	20
12	20	20	20	20	20	20	20	20
14	20	20	20	20	20	20	20	20
16	20	20	20	20	20	20	20	20
18	20	20	20	20	20	20	20	20
20	20	20	20	20	20	20	20	20
22	20	20	20	20	20	20	20	20
24	20	20	20	20	20	20	18	18
26	20	20	20	20	20	18	18	18
28	20	20	20	18	18	18	18	18
30	20	20	20	18	18	18	18	18
32	20	20	20	18	18	18	18	18
34	20	20	20	18	18	18	18	18
36	20	20	18	18	18	18	18	18
38	20	20	18	18	18	18	18	18
40	20	20	18	18	18	18	16	16
42	20	18	18	18	18	16	16	16
44	20	18	18	18	18	16	16	16
46	20	18	18	18	16	16	16	16
48	20	18	18	18	16	16	16	16
50	18	18	18	18	16	16	16	16
52	18	18	18	18	16	16	16	16
54	18	18	18	18	16	16	16	16
56	18	18	18	18	16	16	16	16
58	18	18	16	16	16	16	14	14
60	18	18	16	16	16	16	14	14

DUCT DIA.	MIN GAUGE REQUIREMENTS AT VARYING VACUUM LEVELS BASED ON 4'-0" SPACING FOR STIFFENERS SMACNA ROUND INDUSTRIAL STANDARDS							
	"D1"	-6" WC	-8" WC	-10" WC	-12" WC	-14" WC	-16" WC	-18" WC
62	18	18	16	16	16	14	14	14
64	18	18	16	16	16	14	14	14
66	18	18	16	16	16	14	14	14
68	18	16	16	16	14	14	14	14
70	18	16	16	16	14	14	14	14
72	18	16	16	16	14	14	14	14
74	18	16	16	16	14	14	14	14
76	18	16	16	16	14	14	14	14
78	18	16	16	16	14	14	14	14
80	16	16	16	16	14	14	14	14
82	16	16	16	16	14	14	14	14
84	16	16	14	14	14	14	12	12
86	16	16	14	14	14	14	12	12
88	16	16	14	14	14	14	12	12
90	16	16	14	14	14	12	12	12
92	16	16	14	14	14	12	12	12
94	16	16	14	14	14	12	12	12
96	16	16	14	14	14	12	12	12
98	16	14	14	14	12	12	12	12
100	16	14	14	14	12	12	12	12
102	16	14	14	14	12	12	12	12
104	16	14	14	14	12	12	12	12
106	16	14	14	14	12	12	12	12
108	16	14	14	14	12	12	12	12
110	16	14	14	14	12	12	12	12
112	16	14	14	14	12	12	12	12
114	16	14	14	14	12	12	12	12
116	16	14	14	14	12	12	12	12
118	14	14	14	14	12	12	12	12
120	14	14	14	14	12	12	12	12

**PureGuard LLC**  
1010 South 65th Ave., No. 100, Phoenix, AZ 85043  
T 623.478.1800 / F 623.478.1860  
Email: info@pureguard2.com

This document contains confidential and proprietary information intended solely for the use of individuals or entities for reference only. The information contained herein shall not be disclosed, copied, or distributed other than for the intended purpose without express written consent of PureGuard LLC.

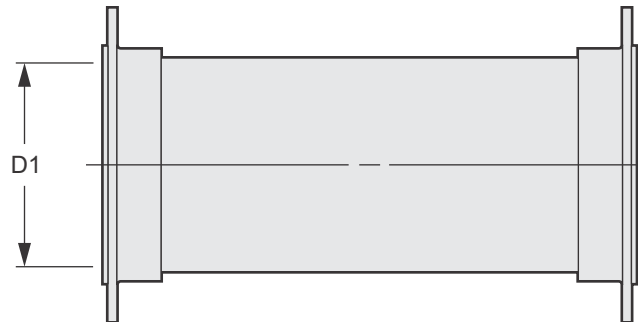
Fitting: **Straight Duct Gauge Requirements - 5' Lengths**

Ring Type | **SS** Stainless Steel Rings - Avail 4" - 120"Ø  
**BI** Black Iron (coated) Rings - Avail 4" - 48"Ø  
**QC** Quick Clamp - Avail 2" - 14"Ø

Ring | Rings are loose < 32" diameter  
Rings are fixed 32" diameter and larger

PureGuard II is FM Approved for use without sprinklers, subject to the conditions of approval as a Fume and/or Exhaust Duct, when installed in accordance with instructions shown in the current edition of the FM Approval Guide.

**PureGuard II Standards**



DUCT DIA.	MIN GAUGE REQUIREMENTS AT VARYING VACUUM LEVELS BASED ON 4'-0" SPACING FOR STIFFENERS SMACNA ROUND INDUSTRIAL STANDARDS							
	"D1"	-6" WC	-8" WC	-10" WC	-12" WC	-14" WC	-16" WC	-18" WC
2	20	20	20	20	20	20	20	20
4	20	20	20	20	20	20	20	20
6	20	20	20	20	20	20	20	20
8	20	20	20	20	20	20	20	20
10	20	20	20	20	20	20	20	20
12	20	20	20	20	20	20	20	20
14	20	20	20	20	20	20	20	20
16	20	20	20	20	20	20	20	20
18	20	20	20	20	20	20	20	20
20	20	20	20	20	20	20	20	20
22	20	20	20	20	20	18	18	18
24	20	20	20	20	18	18	18	18
26	20	20	20	20	18	18	18	18
28	20	20	20	18	18	18	18	18
30	20	20	20	18	18	18	18	18
32	20	20	18	18	18	18	18	18
34	20	20	18	18	18	18	18	16
36	20	18	18	18	18	16	16	16
38	20	18	18	18	18	16	16	16
40	20	18	18	18	16	16	16	16
42	20	18	18	18	16	16	16	16
44	18	18	18	16	16	16	16	16
46	18	18	18	16	16	16	16	16
48	18	18	18	16	16	16	16	16
50	18	18	16	16	16	16	16	14
52	18	18	16	16	16	16	16	14
54	18	18	16	16	16	14	14	14
56	18	18	16	16	16	14	14	14
58	18	16	16	16	14	14	14	14
60	18	16	16	16	14	14	14	14

DUCT DIA.	MIN GAUGE REQUIREMENTS AT VARYING VACUUM LEVELS BASED ON 4'-0" SPACING FOR STIFFENERS SMACNA ROUND INDUSTRIAL STANDARDS							
	"D1"	-6" WC	-8" WC	-10" WC	-12" WC	-14" WC	-16" WC	-18" WC
62	18	16	16	16	14	14	14	14
64	18	16	16	14	14	14	14	14
66	18	16	16	14	14	14	14	14
68	18	16	16	14	14	14	14	14
70	16	16	16	14	14	14	14	14
72	16	16	14	14	14	14	14	12
74	16	16	14	14	14	14	14	12
76	16	16	14	14	14	14	14	12
78	16	16	14	14	14	14	12	12
80	16	16	14	14	14	14	12	12
82	16	16	14	14	14	14	12	12
84	16	14	14	14	14	14	12	12
86	16	14	14	14	14	12	12	12
88	16	14	14	14	14	12	12	12
90	16	14	14	14	14	12	12	12
92	16	14	14	14	14	12	12	12
94	16	14	14	14	12	12	12	12
96	16	14	14	14	12	12	12	12
98	16	14	14	14	12	12	12	12
100	16	14	14	14	12	12	12	12
102	14	14	14	14	12	12	12	12
104	14	14	14	14	12	12	12	12
106	14	14	14	12	12	12	12	12
108	14	14	14	12	12	12	12	12
110	14	14	14	12	12	12	12	12
112	14	14	14	12	12	12	12	12
114	14	14	14	12	12	12	12	12
116	14	14	14	12	12	12	12	12
118	14	14	14	12	12	12	12	12
120	14	14	14	12	12	12	12	12

**PureGuard LLC**  
1010 South 65th Ave., No. 100, Phoenix, AZ 85043  
T 623.478.1800 / F 623.478.1860  
Email: info@pureguard2.com

This document contains confidential and proprietary information intended solely for the use of individuals or entities for reference only. The information contained herein shall not be disclosed, copied, or distributed other than for the intended purpose without express written consent of PureGuard LLC.

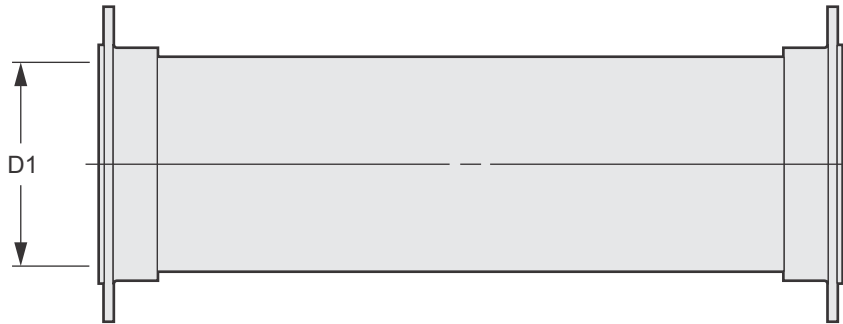
Fitting: **Straight Duct Gauge Requirements - 8' Lengths**

Ring Type | **SS** Stainless Steel Rings - Avail 4" - 120"Ø  
**BI** Black Iron (coated) Rings - Avail 4" - 48"Ø  
**QC** Quick Clamp - Avail 2" - 14"Ø

Ring | Rings are loose < 32" diameter  
Rings are fixed 32" diameter and larger

**PureGuard II Standards**

PureGuard II is FM Approved for use without sprinklers, subject to the conditions of approval as a Fume and/or Exhaust Duct, when installed in accordance with instructions shown in the current edition of the FM Approval Guide.



DUCT DIA.	MIN GAUGE REQUIREMENTS AT VARYING VACUUM LEVELS BASED ON 4'-0" SPACING FOR STIFFENERS SMACNA ROUND INDUSTRIAL STANDARDS						
	"D1"	-6" WC	-8" WC	-10" WC	-12" WC	-14" WC	-16" WC
18	20	20	20	20	20	18	18
20	20	20	20	18	18	18	18
22	20	20	18	18	18	18	18
24	20	20	18	18	18	18	18
26	20	18	18	18	18	18	16
28	20	18	18	18	18	16	16
30	20	18	18	18	16	16	16
32	18	18	18	16	16	16	16
34	18	18	18	16	16	16	16
36	18	18	16	16	16	16	14
38	18	18	16	16	16	14	14
40	18	18	16	16	16	14	14
42	18	16	16	16	14	14	14
44	18	16	16	16	14	14	14
46	18	16	16	16	14	14	14
48	18	16	16	14	14	14	14
50	18	16	16	14	14	14	14
52	16	16	16	14	14	14	12
54	16	16	14	14	14	14	12
56	16	16	14	14	14	14	12
58	16	16	14	14	14	12	12
60	16	16	14	14	14	12	12
62	16	14	14	14	12	12	12
64	16	14	14	14	12	12	12
66	16	14	14	14	12	12	12
68	16	14	14	14	12	12	12

DUCT DIA.	MIN GAUGE REQUIREMENTS AT VARYING VACUUM LEVELS BASED ON 4'-0" SPACING FOR STIFFENERS SMACNA ROUND INDUSTRIAL STANDARDS						
	"D1"	-6" WC	-8" WC	-10" WC	-12" WC	-14" WC	-16" WC
70	16	14	14	12	12	12	12
72	16	14	14	12	12	12	12
74	14	14	14	12	12	12	12
76	14	14	14	12	12	12	12
78	14	14	12	12	12	12	12
80	14	14	12	12	12	12	12
82	14	14	12	12	12	12	12
84	14	14	12	12	12	12	12
86	14	14	12	12	12	12	12
88	14	14	12	12	12	12	12
90	14	12	12	12	12	12	12
92	14	12	12	12	12	12	12
94	14	12	12	12	12	12	10
96	14	12	12	12	12	12	10
98	14	12	12	12	12	12	10
100	14	12	12	12	12	10	10
102	14	12	12	12	12	10	10
104	14	12	12	12	12	10	10
106	14	12	12	12	12	10	10
108	14	12	12	12	12	10	10
110	12	12	12	12	10	10	10
112	12	12	12	12	10	10	10
114	12	12	12	12	10	10	10
116	12	12	12	12	10	10	10
118	12	12	12	12	10	10	10
120	12	12	12	12	10	10	10

**PureGuard LLC**  
1010 South 65th Ave., No. 100, Phoenix, AZ 85043  
T 623.478.1800 / F 623.478.1860  
Email: info@pureguard2.com

This document contains confidential and proprietary information intended solely for the use of individuals or entities for reference only. The information contained herein shall not be disclosed, copied, or distributed other than for the intended purpose without express written consent of PureGuard LLC.

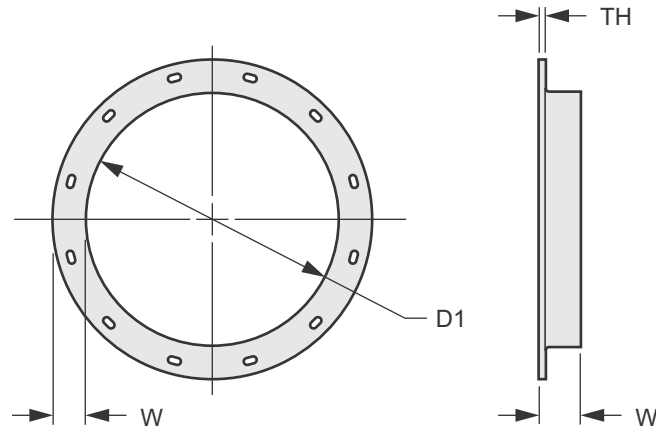
Fitting: **Angle Ring Specifications**

Ring Type | **SS** Stainless Steel Rings - Avail 4" - 120"Ø  
 | **BI** Black Iron (coated) Rings - Avail 4" - 48"Ø  
 | **QC** Quick Clamp - Avail 2" - 14"Ø

Ring | Rings are loose < 32" diameter  
 | Rings are fixed 32" diameter and larger

**PureGuard II Standards**

PureGuard II is FM Approved for use without sprinklers, subject to the conditions of approval as a Fume and/or Exhaust Duct, when installed in accordance with instructions shown in the current edition of the FM Approval Guide.



"D1" NOMINAL DIA.	"W" x "TH"	"BC" BOLT CIRCLE	QTY BOLT HOLES	HOLE TYPE x SIZE	GASKET SIZE
4	1-1/4" x 1/8"	5.31	6	3/8" x 5/8" Slot	3/16" x 1/8"
6					
8					
10					
12	1-1/2" x 3/16"	13.81	12	7/16" x 11/16" Slot	1/4" x 1/8"
14					
16					
18					
20					
22					
24					
26					
28	2" x 3/16"	29.88	24	3/8" Bolt	3/8" x 3/16"
30					
32					
34					
36					
38					
40					
42					
44					
46					
48					
50		2-1/2" x 3/16"			
52					
54					
56					
58					
60					
60	3" x 1/4"	62.88	56		

"D1" NOMINAL DIA.	"W" x "TH"	"BC" BOLT CIRCLE	QTY BOLT HOLES	HOLE TYPE x SIZE	GASKET SIZE		
62	3" x 1/4"	64.88	60	9/16" x 1" Slot	3/8" x 3/16"		
64							
66							
68							
70		72	72.88				
72							
74							
76							
78							
80							
82							
84							
86		4" x 1/4"	89.38			84	7/16" Bolt
88							
90							
92							
94							
96							
98							
100							
102							
104							
106							
108							
110	108	112.38					
112							
114							
116							
118							
120							
120	124.38	116					

**PureGuard LLC**  
 1010 South 65th Ave., No. 100, Phoenix, AZ 85043  
 T 623.478.1800 / F 623.478.1860  
 Email: info@pureguard2.com

This document contains confidential and proprietary information intended solely for the use of individuals or entities for reference only. The information contained herein shall not be disclosed, copied, or distributed other than for the intended purpose without express written consent of PureGuard LLC.

Fitting: **Round Straight Duct**

Ring Type | **SS** Stainless Steel Rings - Avail 4" - 120"Ø  
**BI** Black Iron (coated) Rings - Avail 4" - 48"Ø  
**QC** Quick Clamp - Avail 2" - 14"Ø

Ring | Rings are loose < 32" diameter  
Rings are fixed 32" diameter and larger

Note | **Project Specifications:** Standard Design & Materials, -6" w.c.  
**Standard Nominal Lengths:** 60" ( all sizes ) and 96" ( above 16" dia. ), custom lengths available.  
**Actual Length:** 59.25" & 96.25" actual on duct > 3" & < 50" diameter.  
**Custom Lengths:** Manufactured to exact requested lengths.  
**Ships Standard:** Floating A-36 steel Van Stone style rings through 30" diameter, fixed welded A-36 steel rings 32" - 48" diameter, and fixed welded SS rings > 48" diameter, one plated bolt set and gasket all sizes.

Notes: 1. Minimum thickness required (SS Gage) at varying vacuum levels based on 10'-0" spacing for stiffeners. Changes in duct length may affect gage and/or stiffener requirements.

**PureGuard II Standards**

PureGuard II is FM Approved for use without sprinklers, subject to the conditions of approval as a Fume and/or Exhaust Duct, when installed in accordance with instructions shown in the current edition of the FM Approval Guide.

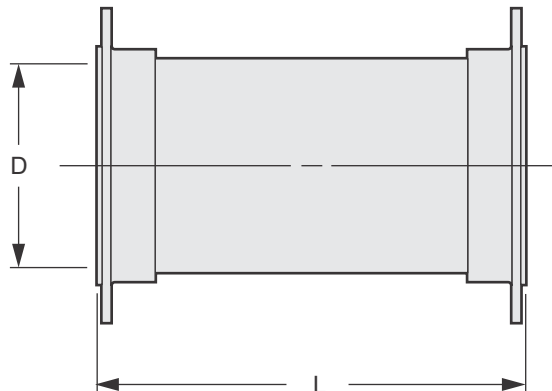


**Options:**

- Stainless bolt set
- Stainless flange rings
- Quick Clamps 2"-14"Ø

Standard Lengths:  
( custom length available )

Diameter	Nominal	Actual
4" - 8"	4 ft long	47.25"
	5 ft long	59.25"
10" - 16"	4 ft long	47.25"
	5 ft long	59.25"
	8 ft long	95.25"
> 48"	4 ft long	48.25"
	5 ft long	60.25"
	8 ft long	96.25"



Fitting: **Round Duct Offset**

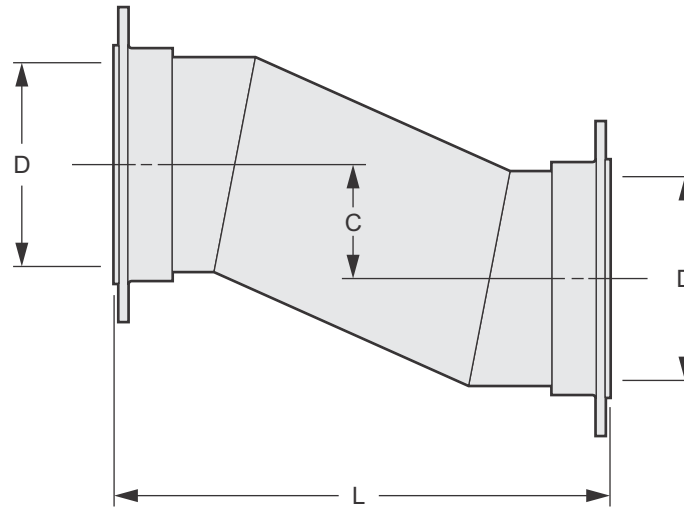
Ring Type | **SS** Stainless Steel Rings - Avail 4" - 120"Ø  
 | **BI** Black Iron (coated) Rings - Avail 4" - 48"Ø  
 | **QC** Quick Clamp - Avail 2" - 14"Ø

Ring | Rings are loose < 32" diameter  
 | Rings are fixed 32" diameter and larger

Note | **Project Specifications:** Standard Design & Materials, -6" w.c.  
 | **Ships Standard:** A-36 steel rings, SS rings > 48" diameter, one plated bolt set and gasket

**PureGuard II Standards**

PureGuard II is FM Approved for use without sprinklers, subject to the conditions of approval as a Fume and/or Exhaust Duct, when installed in accordance with instructions shown in the current edition of the FM Approval Guide.



**Options:**

- Stainless bolt set
- Stainless flange rings
- Quick Clamps 2"-14"Ø



Fitting: **90° Long Radius 5-Gore Mitered Elbow**

Ring Type | **SS** Stainless Steel Rings - Avail 4" - 120"Ø  
**BI** Black Iron (coated) Rings - Avail 4" - 48"Ø  
**QC** Quick Clamp - Avail 2" - 14"Ø

Ring | Rings are loose < 32" diameter  
Rings are fixed 32" diameter and larger

Note | **Project Specifications:** Standard Design & Materials, -6" w.c.  
**Elbow Specifications:** Standard face to centerline dimensions for long radius elbows are 1.5 x diameter  
**Ships Standard:** A-36 steel rings, SS rings > 48" diameter, one plated bolt set and gasket

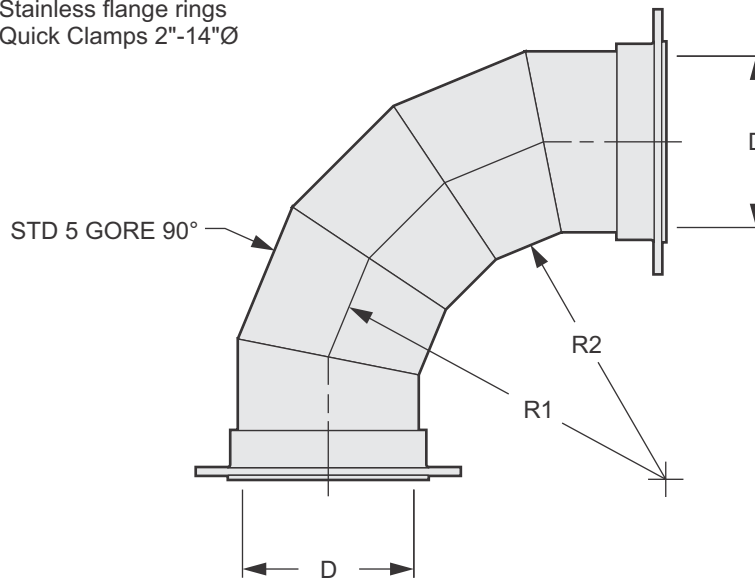
PureGuard II is FM Approved for use without sprinklers, subject to the conditions of approval as a Fume and/or Exhaust Duct, when installed in accordance with instructions shown in the current edition of the FM Approval Guide.

**PureGuard II Standards**



**Options:**

- Stainless bolt set
- Stainless flange rings
- Quick Clamps 2"-14"Ø



Fitting: **90° Short Radius 5-Gore Mitered Elbow**

Ring Type | **SS** Stainless Steel Rings - Avail 4" - 120"Ø  
 | **BI** Black Iron (coated) Rings - Avail 4" - 48"Ø  
 | **QC** Quick Clamp - Avail 2" - 14"Ø

Ring | Rings are loose < 32" diameter  
 | Rings are fixed 32" diameter and larger

Note | **Project Specifications:** Standard Design & Materials, -6" w.c.  
 | **Ships Standard:** A-36 steel rings, SS rings > 48" diameter, one plated bolt set and gasket

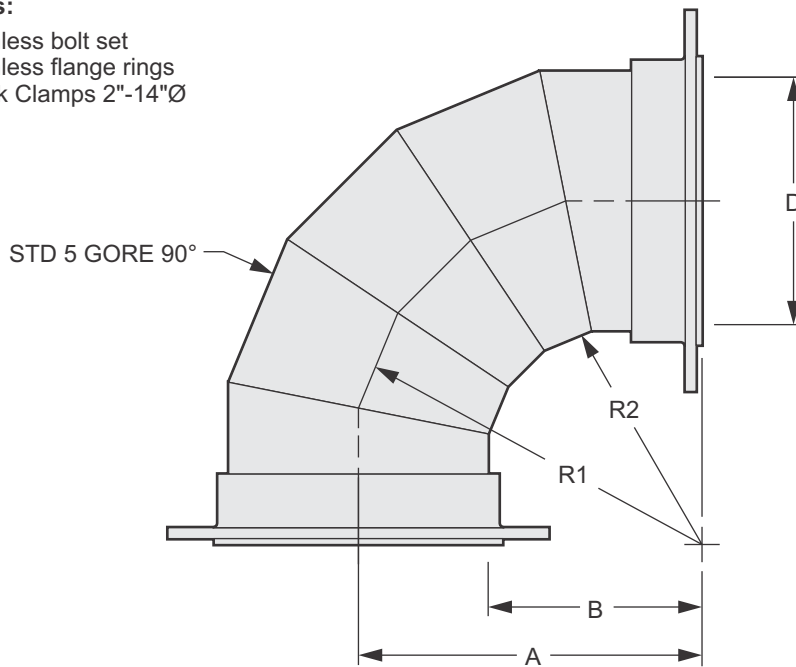
PureGuard II is FM Approved for use without sprinklers, subject to the conditions of approval as a Fume and/or Exhaust Duct, when installed in accordance with instructions shown in the current edition of the FM Approval Guide.

**PureGuard II Standards**



**Options:**

- Stainless bolt set
- Stainless flange rings
- Quick Clamps 2"-14"Ø



Fitting: **60° Long Radius 4-Gore Mitered Elbow**

Ring Type | **SS** Stainless Steel Rings - Avail 4" - 120"Ø  
**BI** Black Iron (coated) Rings - Avail 4" - 48"Ø  
**QC** Quick Clamp - Avail 2" - 14"Ø

Ring | Rings are loose < 32" diameter  
Rings are fixed 32" diameter and larger

Note | **Project Specifications:** Standard Design & Materials, -6" w.c.  
**Elbow Specifications:** Standard face to centerline dimensions for long radius elbows are 1.5 x diameter  
**Ships Standard:** A-36 steel rings, SS rings > 48" diameter, one plated bolt set and gasket

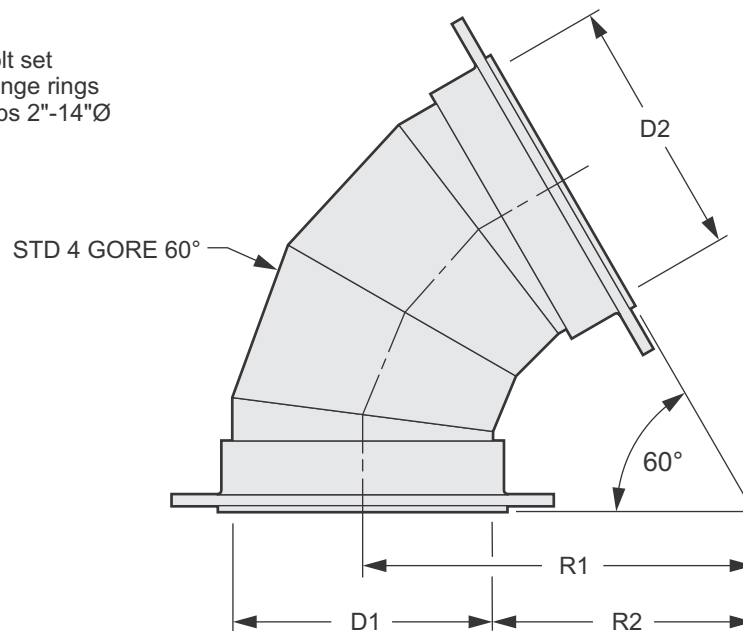
**PureGuard II Standards**

PureGuard II is FM Approved for use without sprinklers, subject to the conditions of approval as a Fume and/or Exhaust Duct, when installed in accordance with instructions shown in the current edition of the FM Approval Guide.



**Options:**

- Stainless bolt set
- Stainless flange rings
- Quick Clamps 2"-14"Ø



Fitting: **60° Short Radius 4-Gore Mitered Elbow**

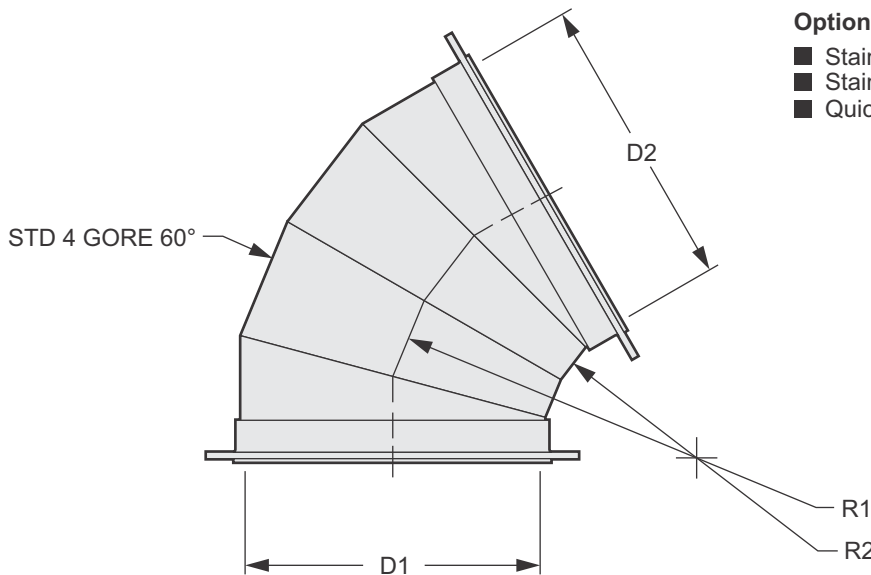
**PureGuard II Standards**

Ring Type | **SS** Stainless Steel Rings - Avail 4" - 120"Ø  
**BI** Black Iron (coated) Rings - Avail 4" - 48"Ø  
**QC** Quick Clamp - Avail 2" - 14"Ø

Ring | Rings are loose < 32" diameter  
Rings are fixed 32" diameter and larger

Note | **Project Specifications:** Standard Design & Materials, -6" w.c.  
**Elbow Specifications:** Standard face to centerline dimensions for short radius elbows are 1.0 x diameter  
**Ships Standard:** A-36 steel rings, SS rings > 48" diameter, one plated bolt set and gasket

PureGuard II is FM Approved for use without sprinklers, subject to the conditions of approval as a Fume and/or Exhaust Duct, when installed in accordance with instructions shown in the current edition of the FM Approval Guide.



**Options:**

- Stainless bolt set
- Stainless flange rings
- Quick Clamps 2"-14"Ø

Fitting: **45° Long Radius 3-Gore Mitered Elbow**

Ring Type | **SS** Stainless Steel Rings - Avail 4" - 120"Ø  
 | **BI** Black Iron (coated) Rings - Avail 4" - 48"Ø  
 | **QC** Quick Clamp - Avail 2" - 14"Ø

Ring | Rings are loose < 32" diameter  
 | Rings are fixed 32" diameter and larger

Note | **Project Specifications:** Standard Design & Materials, -6" w.c.  
 | **Elbow Specifications:** Standard face to centerline dimensions for long radius elbows are 1.5 x diameter  
 | **Ships Standard:** A-36 steel rings, SS rings > 48" diameter, one plated bolt set and gasket

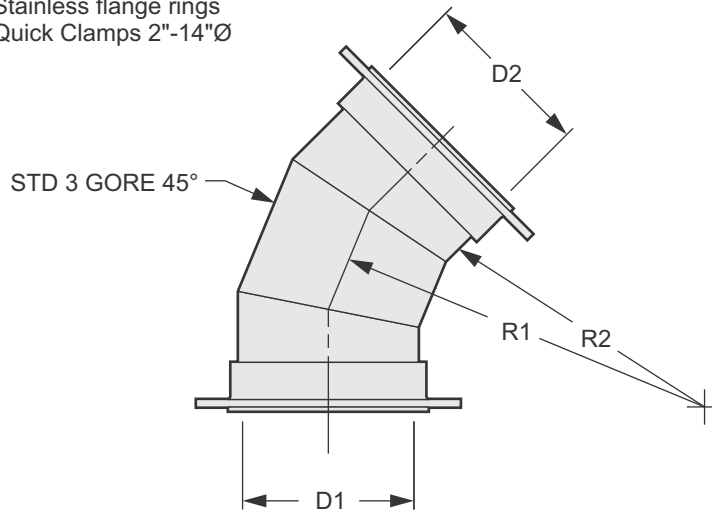
PureGuard II is FM Approved for use without sprinklers, subject to the conditions of approval as a Fume and/or Exhaust Duct, when installed in accordance with instructions shown in the current edition of the FM Approval Guide.

**PureGuard II Standards**



**Options:**

- Stainless bolt set
- Stainless flange rings
- Quick Clamps 2"-14"Ø



Fitting: **45° Short Radius 3-Gore Mitered Elbow**

**PureGuard II Standards**

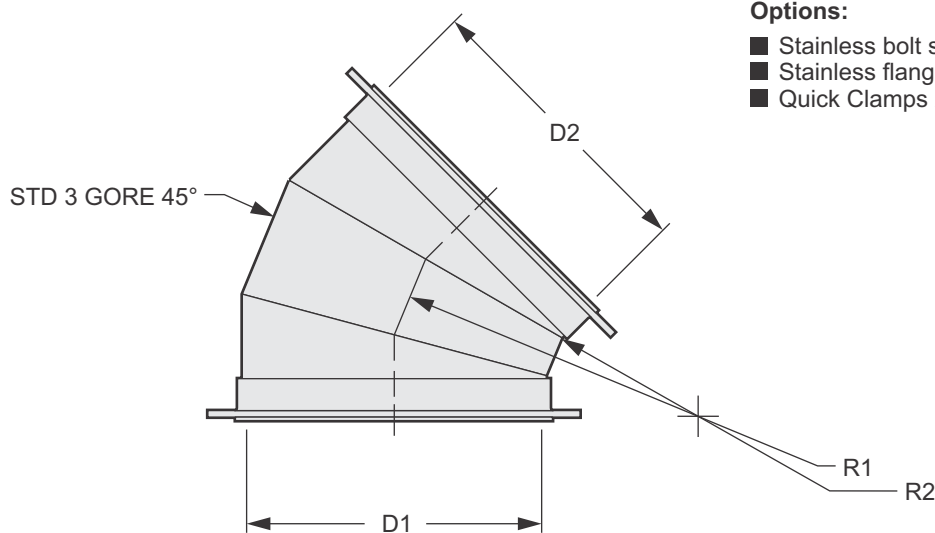
Ring Type | **SS** Stainless Steel Rings - Avail 4" - 120"Ø  
 | **BI** Black Iron (coated) Rings - Avail 4" - 48"Ø  
 | **QC** Quick Clamp - Avail 2" - 14"Ø

PureGuard II is FM Approved for use without sprinklers, subject to the conditions of approval as a Fume and/or Exhaust Duct, when installed in accordance with instructions shown in the current edition of the FM Approval Guide.



Ring | Rings are loose < 32" diameter  
 | Rings are fixed 32" diameter and larger

Note | **Project Specifications:** Standard Design & Materials, -6" w.c.  
 | **Elbow Specifications:** Standard face to centerline dimensions for short radius elbows are 1.0 x diameter  
 | **Ships Standard:** A-36 steel rings, SS rings > 48" diameter, one plated bolt set and gasket



**Options:**

- Stainless bolt set
- Stainless flange rings
- Quick Clamps 2"-14"Ø

Fitting: **30° Long Radius 2-Gore Mitered Elbow**

Ring Type | **SS** Stainless Steel Rings - Avail 4" - 120"Ø  
 | **BI** Black Iron (coated) Rings - Avail 4" - 48"Ø  
 | **QC** Quick Clamp - Avail 2" - 14"Ø

Ring | Rings are loose < 32" diameter  
 | Rings are fixed 32" diameter and larger

Note | **Project Specifications:** Standard Design & Materials, -6" w.c.  
 | **Elbow Specifications:** Standard face to centerline dimensions for long radius elbows are 1.5 x diameter  
 | **Ships Standard:** A-36 steel rings, SS rings > 48" diameter, one plated bolt set and gasket

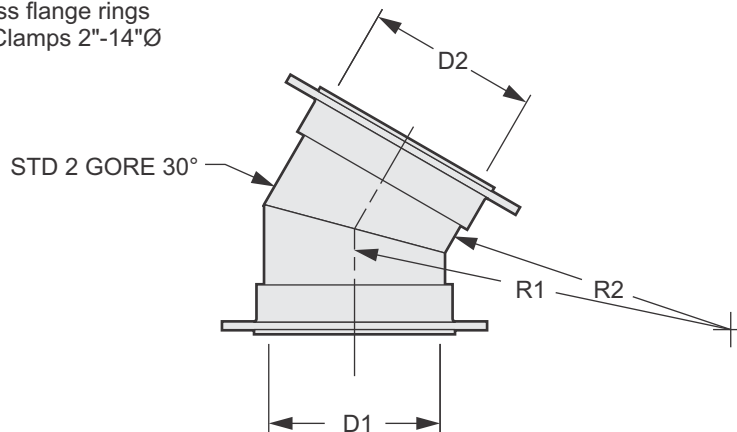
PureGuard II is FM Approved for use without sprinklers, subject to the conditions of approval as a Fume and/or Exhaust Duct, when installed in accordance with instructions shown in the current edition of the FM Approval Guide.

**PureGuard II Standards**



**Options:**

- Stainless bolt set
- Stainless flange rings
- Quick Clamps 2"-14"Ø



Fitting: **30° Short Radius 2-Gore Mitered Elbow**

Ring Type | **SS** Stainless Steel Rings - Avail 4" - 120"Ø  
 | **BI** Black Iron (coated) Rings - Avail 4" - 48"Ø  
 | **QC** Quick Clamp - Avail 2" - 14"Ø

Ring | Rings are loose < 32" diameter  
 | Rings are fixed 32" diameter and larger

Note | **Project Specifications:** Standard Design & Materials, -6" w.c.  
 | **Elbow Specifications:** Standard face to centerline dimensions for short radius elbows are 1.0 x diameter  
 | **Ships Standard:** A-36 steel rings, SS rings > 48" diameter, one plated bolt set and gasket

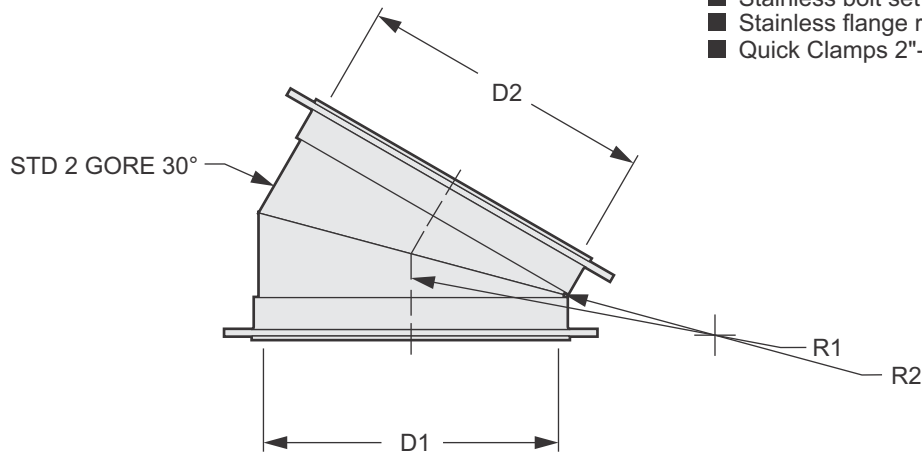
PureGuard II is FM Approved for use without sprinklers, subject to the conditions of approval as a Fume and/or Exhaust Duct, when installed in accordance with instructions shown in the current edition of the FM Approval Guide.

**PureGuard II Standards**



**Options:**

- Stainless bolt set
- Stainless flange rings
- Quick Clamps 2"-14"Ø





Fitting: **15° 2-Gore Mitered Elbow**

**PureGuard II Standards**

Ring Type | **SS** Stainless Steel Rings - Avail 4" - 120"Ø  
 | **BI** Black Iron (coated) Rings - Avail 4" - 48"Ø  
 | **QC** Quick Clamp - Avail 2" - 14"Ø

PureGuard II is FM Approved for use without sprinklers, subject to the conditions of approval as a Fume and/or Exhaust Duct, when installed in accordance with instructions shown in the current edition of the FM Approval Guide.

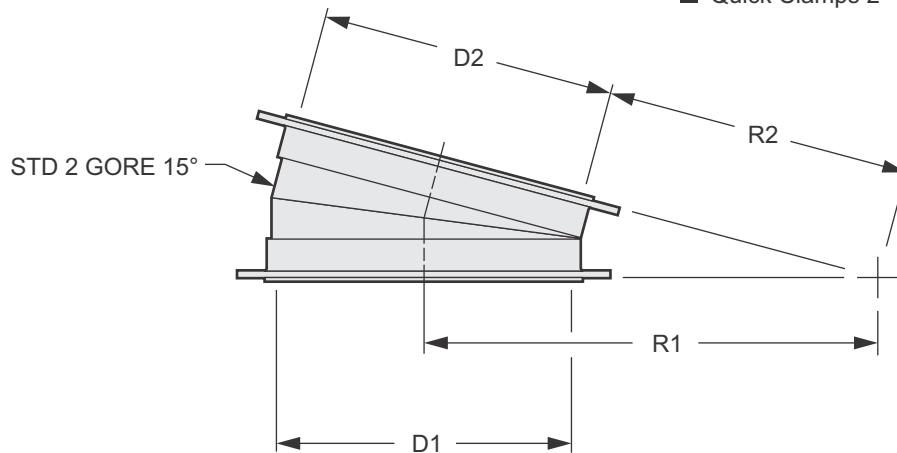


Ring | Rings are loose < 32" diameter  
 | Rings are fixed 32" diameter and larger

Note | **Project Specifications:** Standard Design & Materials, -6" w.c.  
 | **Elbow Specifications:** Standard face to centerline dimensions for long radius elbows are 1.5 x diameter  
 | Standard face to centerline dimensions for short radius elbows are 1.0 x diameter  
 | **Ships Standard:** A-36 steel rings, SS rings > 48" diameter, one plated bolt set and gasket

**Options:**

- Stainless bolt set
- Stainless flange rings
- Quick Clamps 2"-14"Ø



Fitting: **Concentric Reducer**

Ring Type | **SS** Stainless Steel Rings - Avail 4" - 120"Ø  
 | **BI** Black Iron (coated) Rings - Avail 4" - 48"Ø  
 | **QC** Quick Clamp - Avail 2" - 14"Ø

Ring | Rings are loose < 32" diameter  
 | Rings are fixed 32" diameter and larger

Note | **Project Specifications:** Standard Design & Materials, -6" w.c.  
 | **Ships Standard:** A-36 steel rings, SS rings > 48" diameter, one plated bolt set and gasket

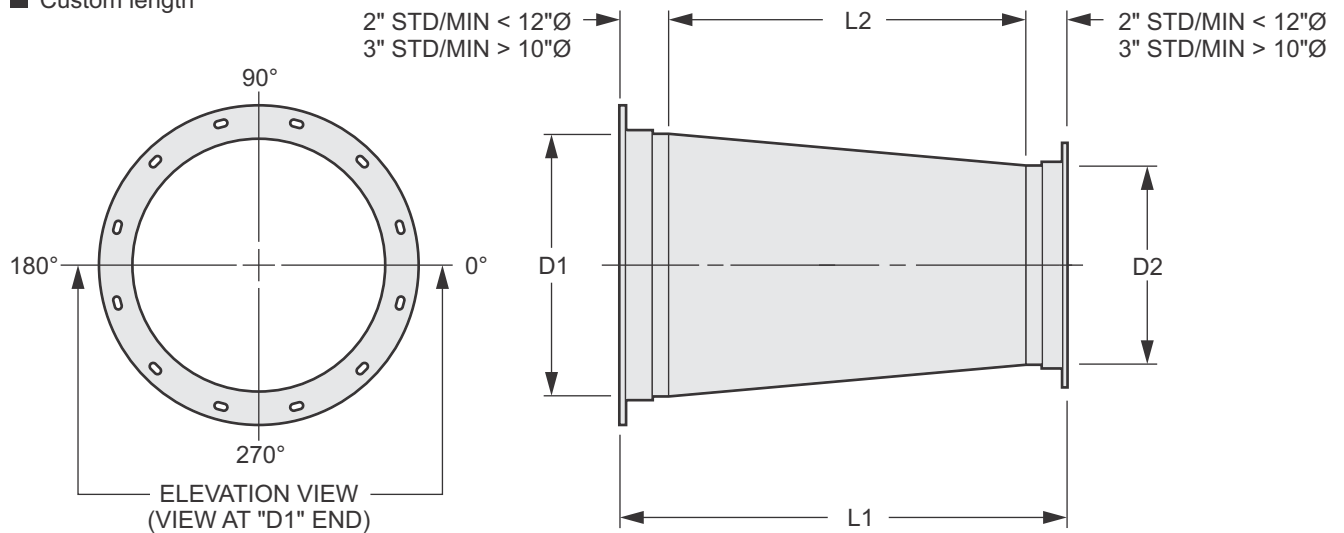
**PureGuard II Standards**

PureGuard II is FM Approved for use without sprinklers, subject to the conditions of approval as a Fume and/or Exhaust Duct, when installed in accordance with instructions shown in the current edition of the FM Approval Guide.



**Options:**

- Stainless bolt set
- Stainless flange rings
- Quick Clamps 2"-14"Ø
- Custom length



Fitting: **Eccentric Reducer**

Ring Type | **SS** Stainless Steel Rings - Avail 4" - 120"Ø  
**BI** Black Iron (coated) Rings - Avail 4" - 48"Ø  
**QC** Quick Clamp - Avail 2" - 14"Ø

Ring | Rings are loose < 32" diameter  
Rings are fixed 32" diameter and larger

Note | **Project Specifications:** Standard Design & Materials, -6" w.c.  
**Ships Standard:** A-36 steel rings, SS rings > 48" diameter, one plated bolt set and gasket

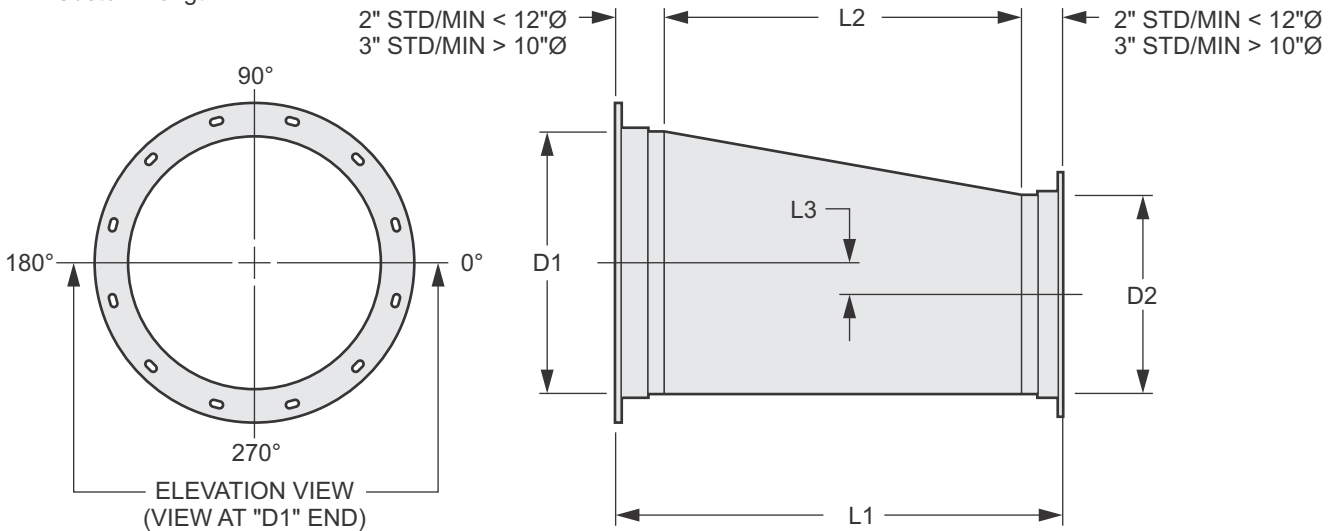
**PureGuard II Standards**

PureGuard II is FM Approved for use without sprinklers, subject to the conditions of approval as a Fume and/or Exhaust Duct, when installed in accordance with instructions shown in the current edition of the FM Approval Guide.



**Options:**

- Stainless bolt set
- Stainless Flange Rings
- Quick Clamps 2"-14"Ø
- Custom Length



Fitting: **Straight Duct with Drain**

Ring Type | **SS** Stainless Steel Rings - Avail 4" - 120"Ø  
 | **BI** Black Iron (coated) Rings - Avail 4" - 48"Ø  
 | **QC** Quick Clamp - Avail 2" - 14"Ø

Ring | Rings are loose < 32" diameter  
 | Rings are fixed 32" diameter and larger

Note | **Project Specifications:** Standard Design & Materials, -6" w.c.  
 | **Ships Standard:** A-36 steel rings, SS rings > 48" diameter, one plated bolt set and gasket

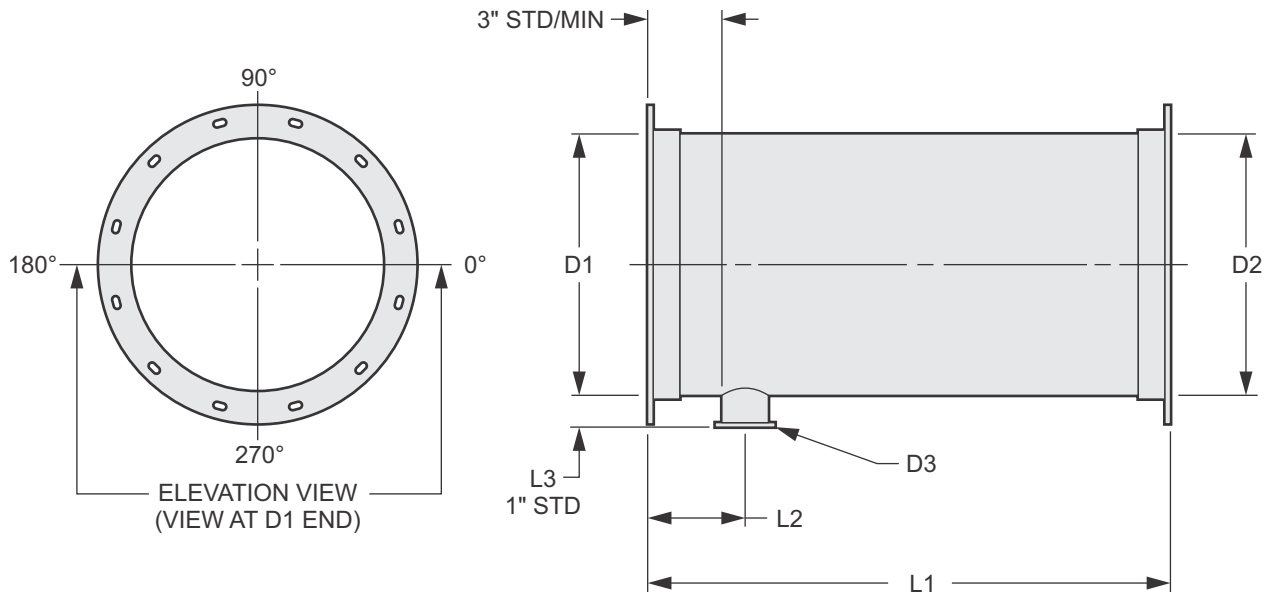
**PureGuard II Standards**

PureGuard II is FM Approved for use without sprinklers, subject to the conditions of approval as a Fume and/or Exhaust Duct, when installed in accordance with instructions shown in the current edition of the FM Approval Guide.



**Options:**

- Stainless bolt set
- Stainless flange rings
- Quick Clamps 2"-14"Ø



Fitting: **Straight Duct with Straight Tap**

**PureGuard II Standards**

Ring Type | **SS** Stainless Steel Rings - Avail 4" - 120"Ø  
 | **BI** Black Iron (coated) Rings - Avail 4" - 48"Ø  
 | **QC** Quick Clamp - Avail 2" - 14"Ø

PureGuard II is FM Approved for use without sprinklers, subject to the conditions of approval as a Fume and/or Exhaust Duct, when installed in accordance with instructions shown in the current edition of the FM Approval Guide.

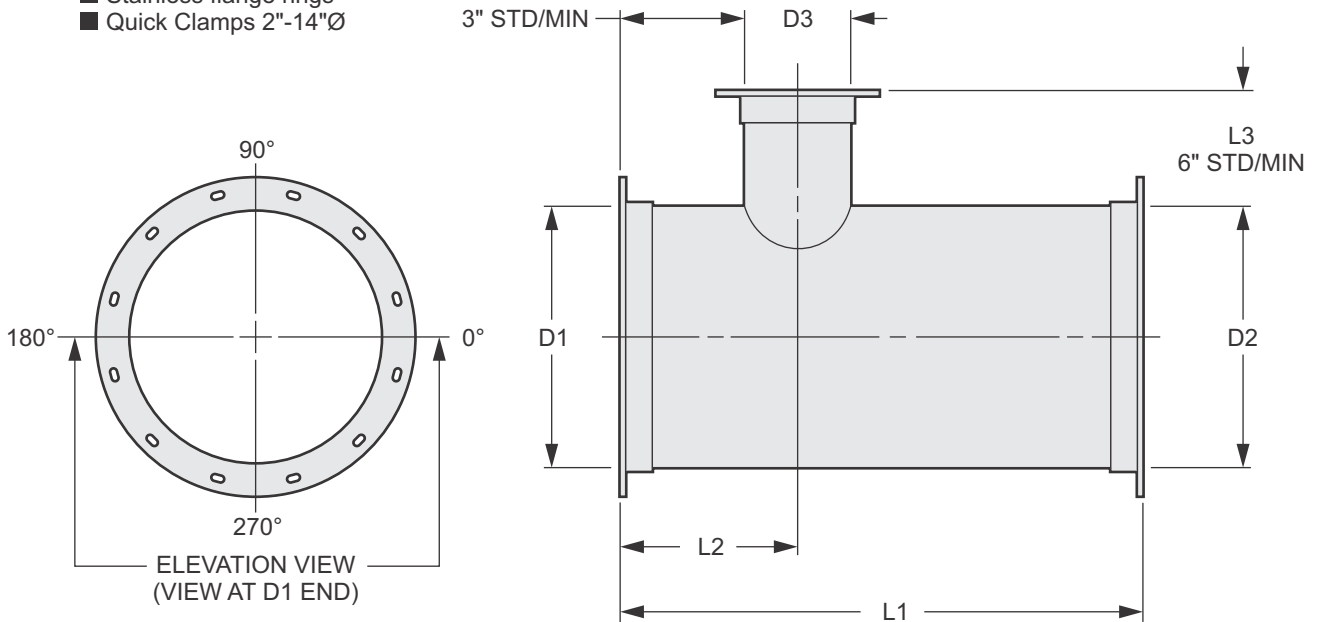


Ring | Rings are loose < 32" diameter  
 | Rings are fixed 32" diameter and larger

Note | **Project Specifications:** Standard Design & Materials, -6" w.c.  
 | **Ships Standard:** Quick clamps and gaskets for all ends 2" and 3" diameter, A-36 steel rings > 3", SS rings > 48" diameter, one plated bolt set and gasket

**Options:**

- Stainless bolt set
- Stainless flange rings
- Quick Clamps 2"-14"Ø



**PureGuard LLC**  
 1010 South 65th Ave., No. 100, Phoenix, AZ 85043  
 T 623.478.1800 / F 623.478.1860  
 Email: info@pureguard2.com

This document contains confidential and proprietary information intended solely for the use of individuals or entities for reference only. The information contained herein shall not be disclosed, copied, or distributed other than for the intended purpose without express written consent of PureGuard LLC.

Fitting: **Straight Duct with Conical Tap**

**PureGuard II Standards**

Ring Type | **SS** Stainless Steel Rings - Avail 4" - 120"Ø  
 | **BI** Black Iron (coated) Rings - Avail 4" - 48"Ø  
 | **QC** Quick Clamp - Avail 2" - 14"Ø

PureGuard II is FM Approved for use without sprinklers, subject to the conditions of approval as a Fume and/or Exhaust Duct, when installed in accordance with instructions shown in the current edition of the FM Approval Guide.

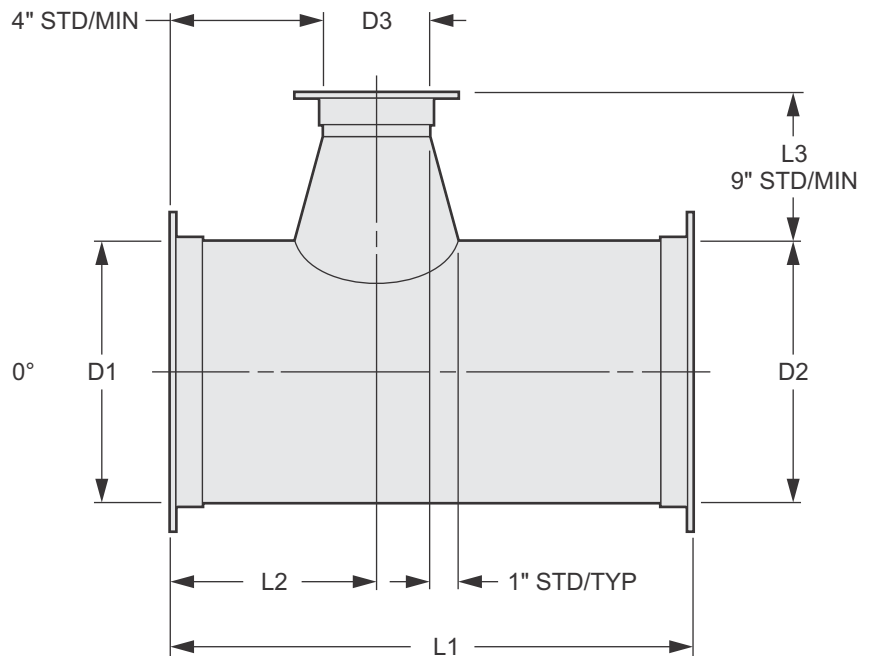
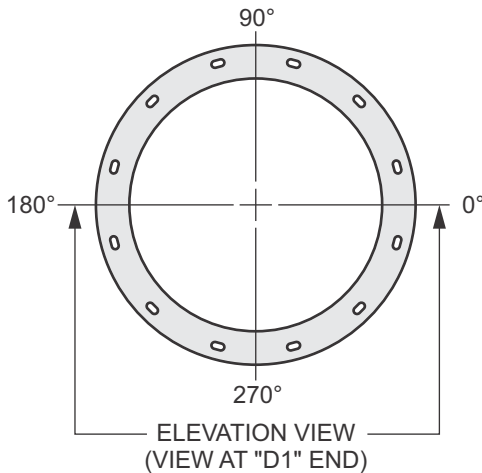


Ring | Rings are loose < 32" diameter  
 | Rings are fixed 32" diameter and larger

Note | **Project Specifications:** Standard Design & Materials, -6" w.c.  
 | **Ships Standard:** A-36 steel rings, SS rings > 48" diameter, one plated bolt set and gasket

**Options:**

- Stainless bolt set
- Stainless flange rings
- Quick Clamps 2"-14"Ø



Fitting: **Straight Duct with Shoe Tap**

Ring Type | **SS** Stainless Steel Rings - Avail 4" - 120"Ø  
**BI** Black Iron (coated) Rings - Avail 4" - 48"Ø  
**QC** Quick Clamp - Avail 2" - 14"Ø

Ring | Rings are loose < 32" diameter  
Rings are fixed 32" diameter and larger

Note | **Project Specifications:** Standard Design & Materials, -6" w.c., 2" and 3" branch connections ship standard with quick clamps and gasket  
**Ships Standard:** A-36 steel rings > 3", SS rings > 48" diameter, one plated bolt set and gasket

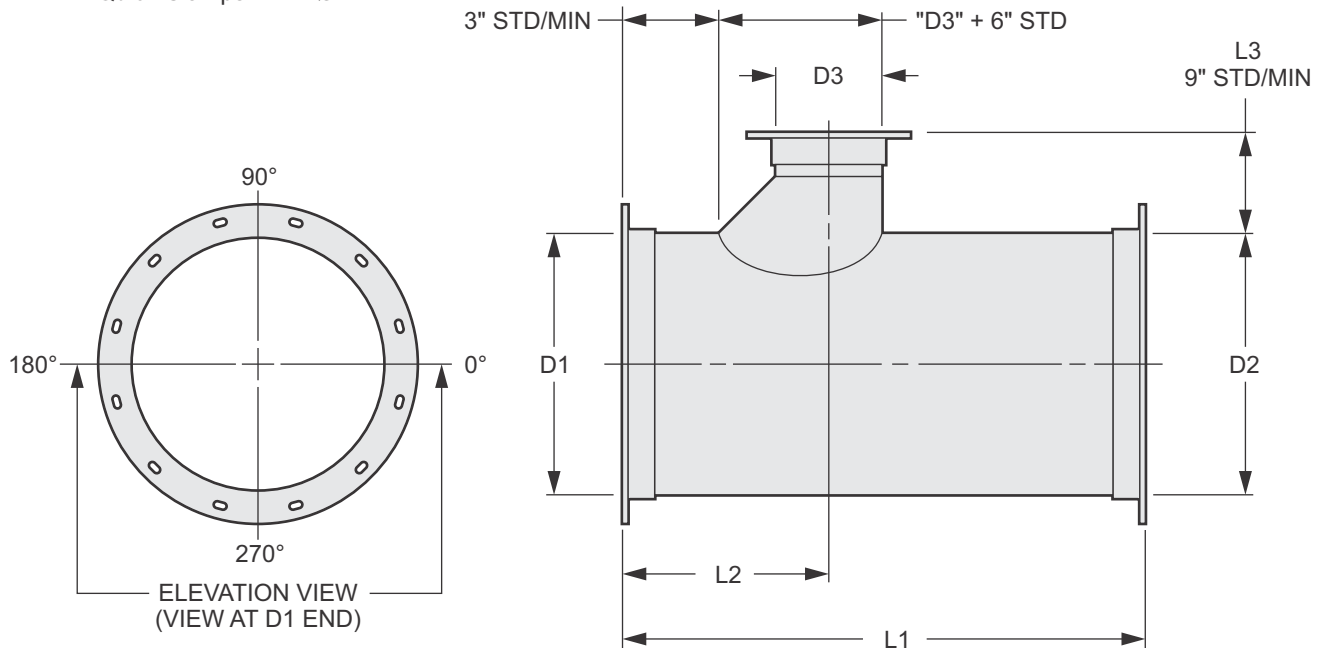
**PureGuard II Standards**

PureGuard II is FM Approved for use without sprinklers, subject to the conditions of approval as a Fume and/or Exhaust Duct, when installed in accordance with instructions shown in the current edition of the FM Approval Guide.



**Options:**

- Stainless bolt set
- Stainless Flange Rings
- Quick Clamps 2"-14"Ø



Fitting: **Straight Duct with 45° Lateral Tap**

**PureGuard II Standards**

Ring Type | **SS** Stainless Steel Rings - Avail 4" - 120"Ø  
 | **BI** Black Iron (coated) Rings - Avail 4" - 48"Ø  
 | **QC** Quick Clamp - Avail 2" - 14"Ø

PureGuard II is FM Approved for use without sprinklers, subject to the conditions of approval as a Fume and/or Exhaust Duct, when installed in accordance with instructions shown in the current edition of the FM Approval Guide.

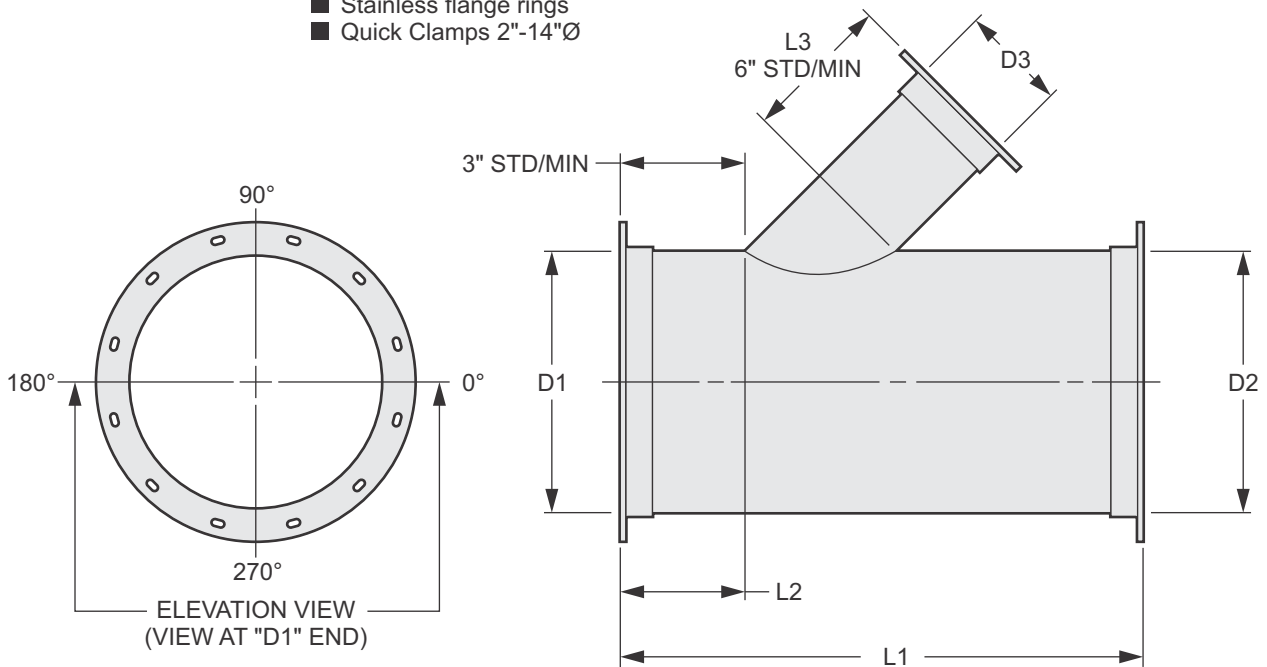


Ring | Rings are loose < 32" diameter  
 | Rings are fixed 32" diameter and larger

Note | **Project Specifications:** Standard Design & Materials, -6" w.c., 2" and 3" branch connections ship standard with 2" stand-offs, quick clamps and gasket  
 | **Ships Standard:** A-36 steel rings > 3", SS rings > 48" diameter, one plated bolt set and gasket

**Options:**

- Stainless bolt set
- Stainless flange rings
- Quick Clamps 2"-14"Ø





Fitting: **45° Reducing Wye**

Ring Type | **SS** Stainless Steel Rings - Avail 4" - 120"Ø  
 | **BI** Black Iron (coated) Rings - Avail 4" - 48"Ø  
 | **QC** Quick Clamp - Avail 2" - 14"Ø

Ring | Rings are loose < 32" diameter  
 | Rings are fixed 32" diameter and larger

Note | **Project Specifications:** Standard Design & Materials, -6" w.c.  
 | **Ships Standard:** A-36 steel rings, SS rings > 48" diameter, one plated bolt set and gasket

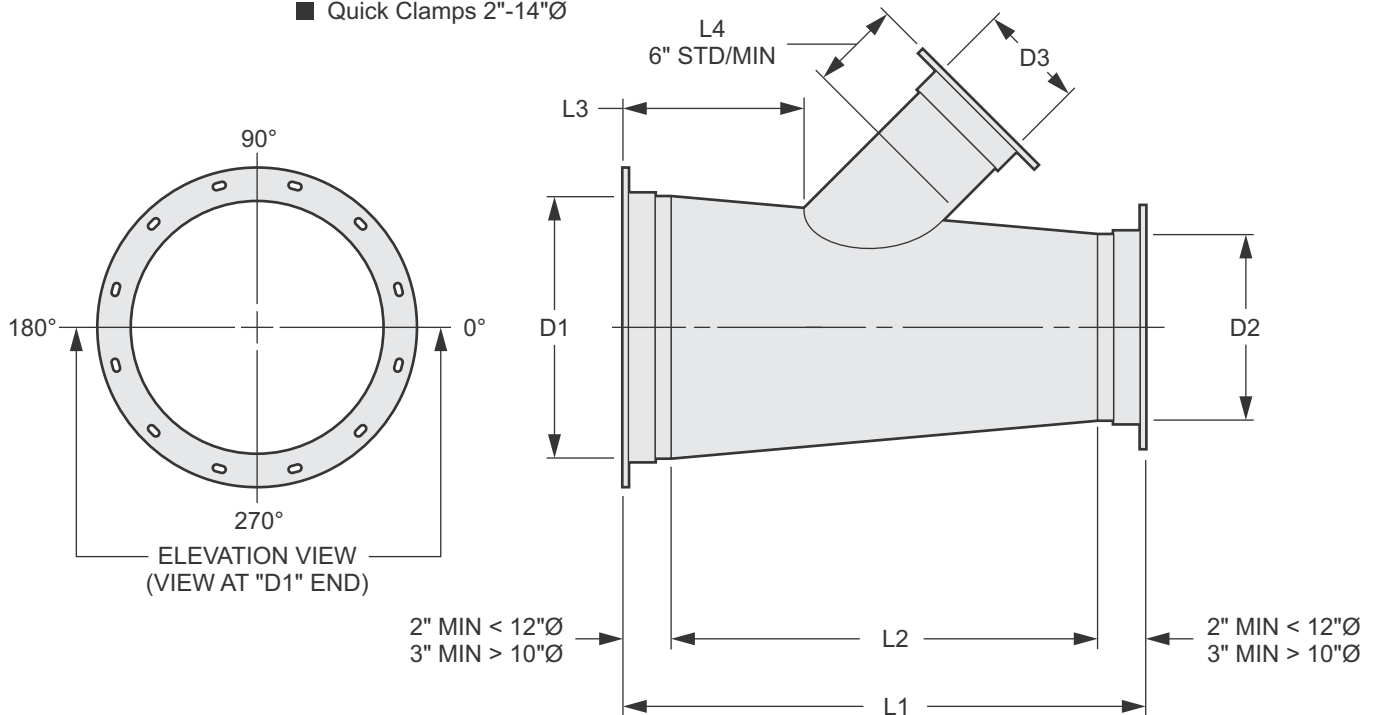
**PureGuard II Standards**

PureGuard II is FM Approved for use without sprinklers, subject to the conditions of approval as a Fume and/or Exhaust Duct, when installed in accordance with instructions shown in the current edition of the FM Approval Guide.



**Options:**

- Stainless bolt set
- Stainless flange rings
- Quick Clamps 2"-14"Ø



Fitting: **45° Reducing Wye with Multiple Taps**

**PureGuard II Standards**

Ring Type | **SS** Stainless Steel Rings - Avail 4" - 120"Ø  
 | **BI** Black Iron (coated) Rings - Avail 4" - 48"Ø  
 | **QC** Quick Clamp - Avail 2" - 14"Ø

PureGuard II is FM Approved for use without sprinklers, subject to the conditions of approval as a Fume and/or Exhaust Duct, when installed in accordance with instructions shown in the current edition of the FM Approval Guide.

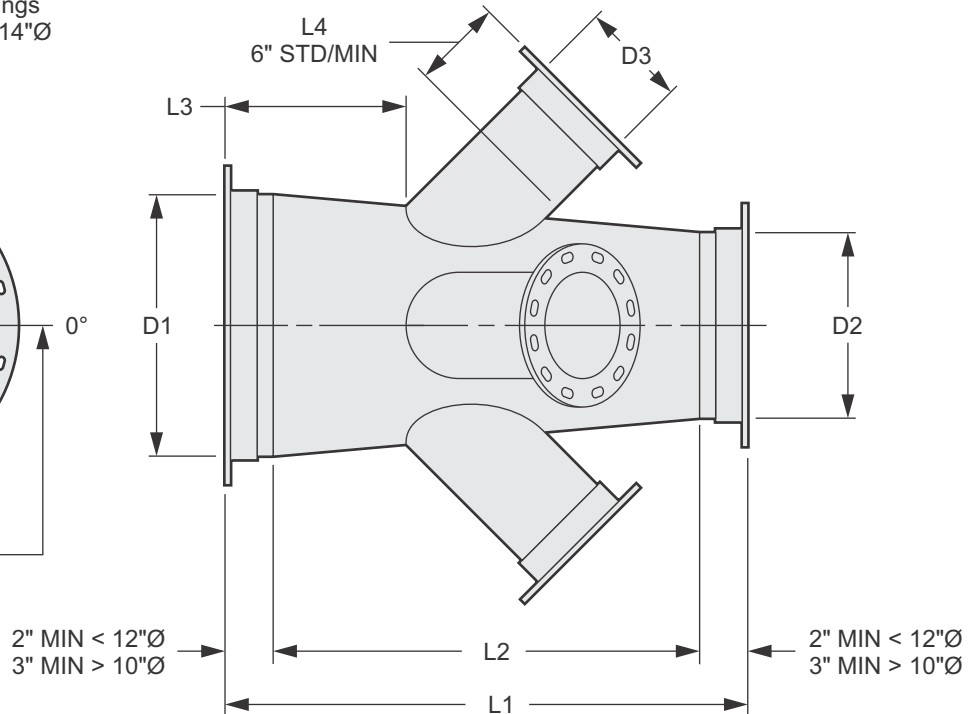
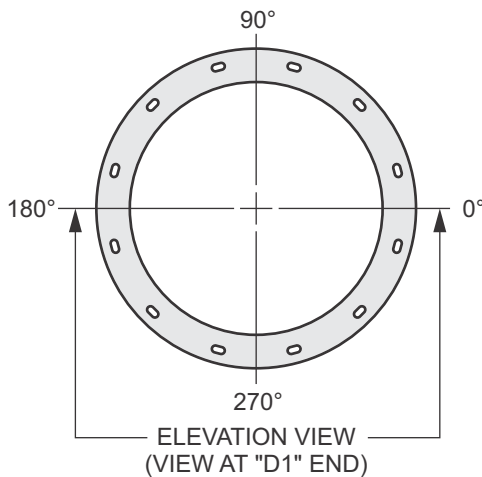


Ring | Rings are loose < 32" diameter  
 | Rings are fixed 32" diameter and larger

Note | **Project Specifications:** Standard Design & Materials, -6" w.c.  
 | **Ships Standard:** A-36 steel rings, SS rings > 48" diameter, one plated bolt set and gasket

**Options:**

- Stainless bolt set
- Stainless flange rings
- Quick Clamps 2"-14"Ø



**PureGuard LLC**  
 1010 South 65th Ave., No. 100, Phoenix, AZ 85043  
 T 623.478.1800 / F 623.478.1860  
 Email: info@pureguard2.com

This document contains confidential and proprietary information intended solely for the use of individuals or entities for reference only. The information contained herein shall not be disclosed, copied, or distributed other than for the intended purpose without express written consent of PureGuard LLC.

Fitting: **Straight Duct with Tangential Straight Tap**

**PureGuard II Standards**

Ring Type | **SS** Stainless Steel Rings - Avail 4" - 120"Ø  
**BI** Black Iron (coated) Rings - Avail 4" - 48"Ø  
**QC** Quick Clamp - Avail 2" - 14"Ø

PureGuard II is FM Approved for use without sprinklers, subject to the conditions of approval as a Fume and/or Exhaust Duct, when installed in accordance with instructions shown in the current edition of the FM Approval Guide.

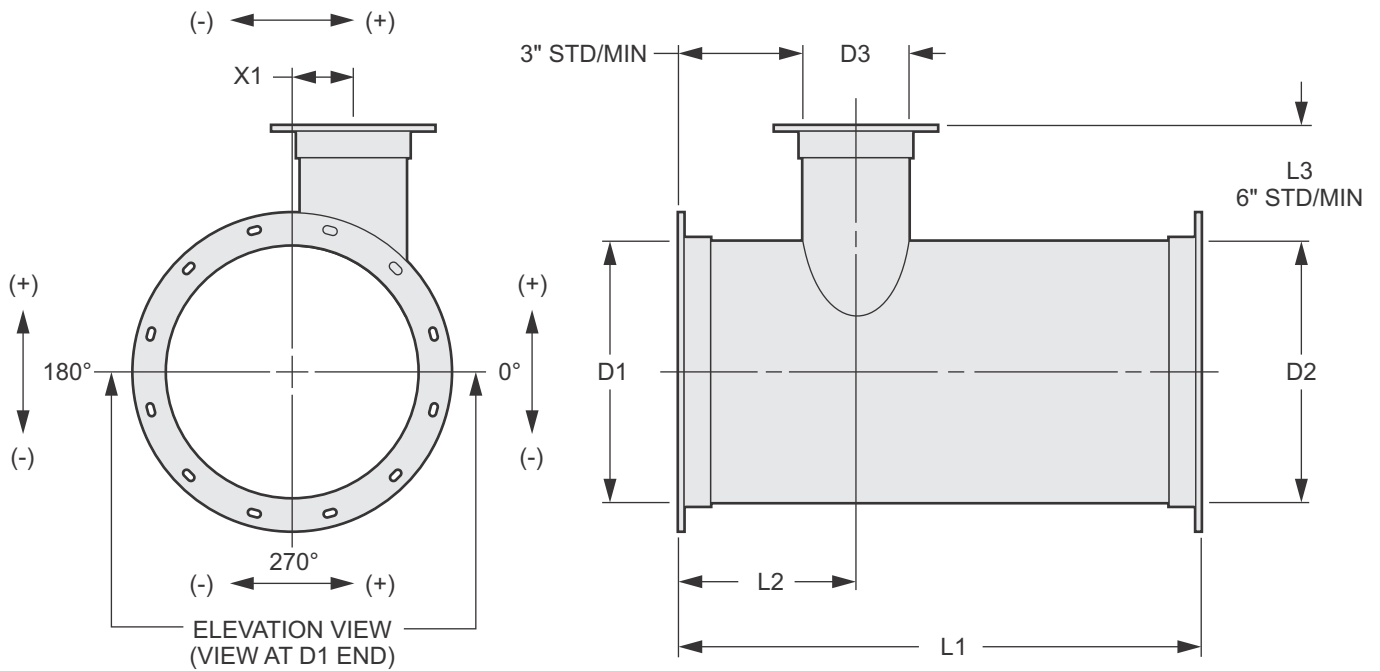


Ring | Rings are loose < 32" diameter  
 Rings are fixed 32" diameter and larger

Note | **Project Specifications:** Standard Design & Materials, -6" w.c.  
**Ships Standard:** A-36 steel rings, SS rings > 48" diameter, one plated bolt set and gasket

**Options:**

- Stainless bolt set
- Stainless flange rings
- Quick Clamps 2"-14"Ø



**PureGuard LLC**  
 1010 South 65th Ave., No. 100, Phoenix, AZ 85043  
 T 623.478.1800 / F 623.478.1860  
 Email: info@pureguard2.com

This document contains confidential and proprietary information intended solely for the use of individuals or entities for reference only. The information contained herein shall not be disclosed, copied, or distributed other than for the intended purpose without express written consent of PureGuard LLC.

Fitting: **Straight Duct with Tangential 45° Lateral Tap**

**PureGuard II Standards**

Ring Type | **SS** Stainless Steel Rings - Avail 4" - 120"Ø  
 | **BI** Black Iron (coated) Rings - Avail 4" - 48"Ø  
 | **QC** Quick Clamp - Avail 2" - 14"Ø

PureGuard II is FM Approved for use without sprinklers, subject to the conditions of approval as a Fume and/or Exhaust Duct, when installed in accordance with instructions shown in the current edition of the FM Approval Guide.

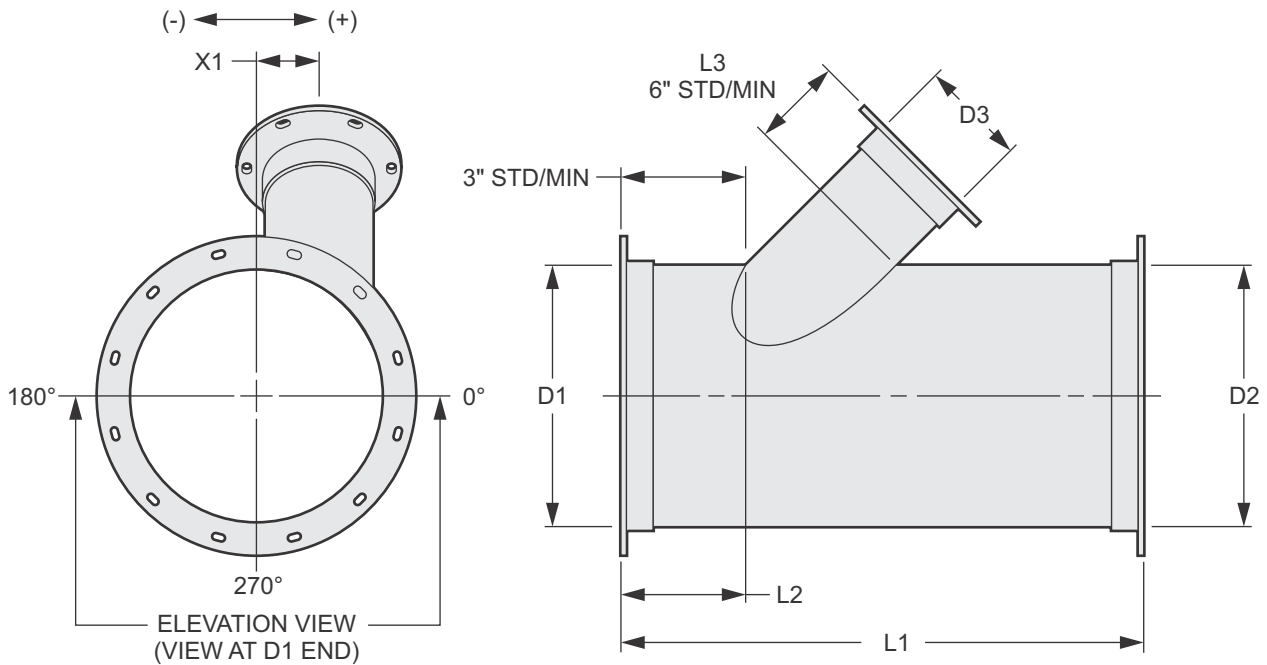


Ring | Rings are loose < 32" diameter  
 | Rings are fixed 32" diameter and larger

Note | **Project Specifications:** Standard Design & Materials, -6" w.c.  
 | **Ships Standard:** A-36 steel rings, SS rings > 48" diameter, one plated bolt set and gasket

**Options:**

- Stainless bolt set
- Stainless flange rings
- Quick Clamps 2"-14"Ø



Fitting: **Wye**

Ring Type | **SS** Stainless Steel Rings - Avail 4" - 120"Ø  
 | **BI** Black Iron (coated) Rings - Avail 4" - 48"Ø  
 | **QC** Quick Clamp - Avail 2" - 14"Ø

Ring | Rings are loose < 32" diameter  
 | Rings are fixed 32" diameter and larger

Note | **Project Specifications:** Standard Design & Materials, -6" w.c., 2" and 3" branch connections ship standard with 2" stand-offs, quick clamps and gasket  
 | **Ships Standard:** A-36 steel rings > 3", SS rings > 48" diameter, one plated bolt set and gasket

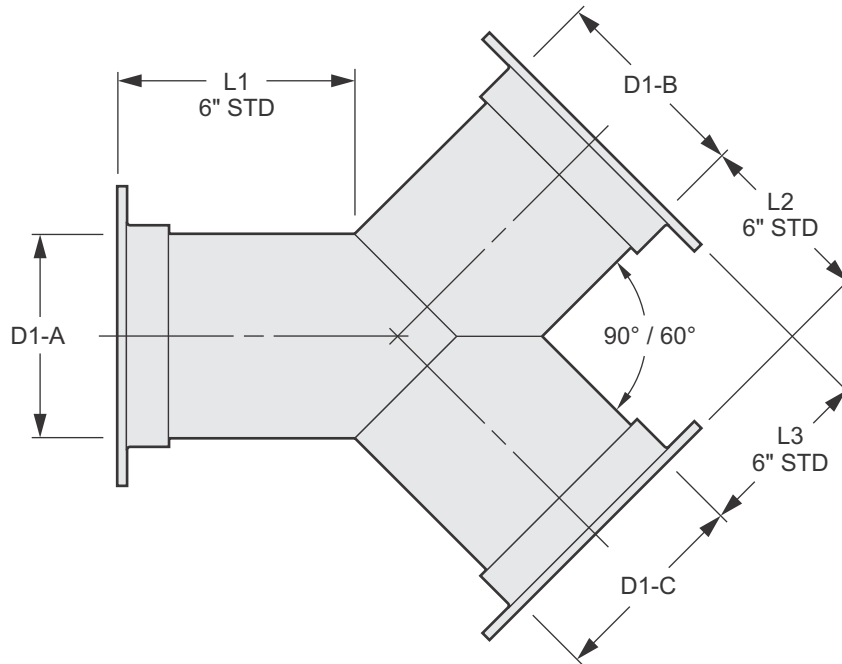
**PureGuard II Standards**

PureGuard II is FM Approved for use without sprinklers, subject to the conditions of approval as a Fume and/or Exhaust Duct, when installed in accordance with instructions shown in the current edition of the FM Approval Guide.



**Options:**

- Stainless bolt set
- Stainless flange rings
- Quick Clamps 2"-14"Ø



Fitting: **Straight Duct with Multiple Tap Styles**

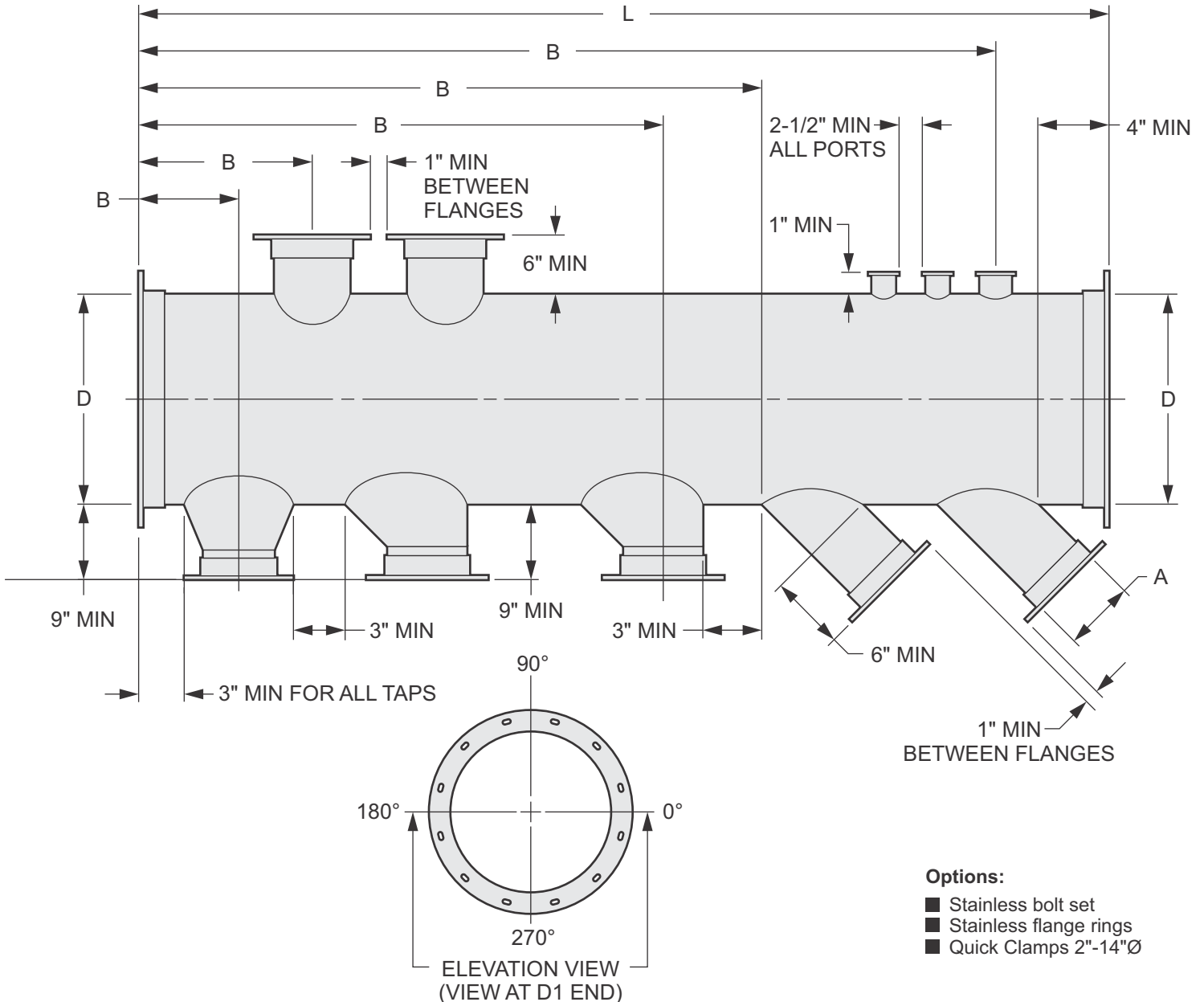
Ring Type | **SS** Stainless Steel Rings - Avail 4" - 120"Ø  
**BI** Black Iron (coated) Rings - Avail 4" - 48"Ø  
**QC** Quick Clamp - Avail 2" - 14"Ø

Ring | Rings are loose < 32" diameter  
Rings are fixed 32" diameter and larger

Note | **Project Specifications:** Standard Design & Materials, -6" w.c.  
**Ships Standard:** A-36 steel rings, SS rings > 48" diameter, one plated bolt set and gasket

**PureGuard II Standards**

PureGuard II is FM Approved for use without sprinklers, subject to the conditions of approval as a Fume and/or Exhaust Duct, when installed in accordance with instructions shown in the current edition of the FM Approval Guide.



- Options:**
- Stainless bolt set
  - Stainless flange rings
  - Quick Clamps 2"-14"Ø

**PureGuard LLC**  
1010 South 65th Ave., No. 100, Phoenix, AZ 85043  
T 623.478.1800 / F 623.478.1860  
Email: info@pureguard2.com

This document contains confidential and proprietary information intended solely for the use of individuals or entities for reference only. The information contained herein shall not be disclosed, copied, or distributed other than for the intended purpose without express written consent of PureGuard LLC.

Fitting: **Custom Fittings**

Ring Type | **SS** Stainless Steel Rings - Avail 4" - 120"Ø  
**BI** Black Iron (coated) Rings - Avail 4" - 48"Ø  
**QC** Quick Clamp - Avail 2" - 14"Ø

Ring | Rings are loose < 32" diameter  
Rings are fixed 32" diameter and larger

Note | **Project Specifications:** Standard Design & Materials, -6" w.c.

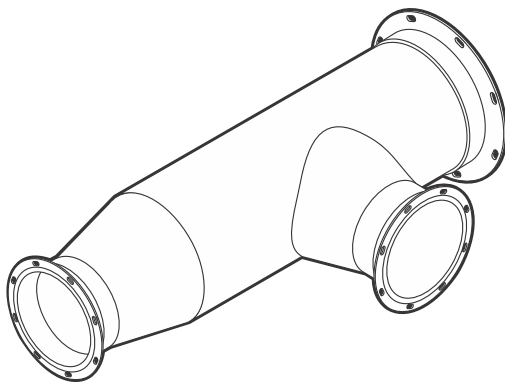
**PureGuard II Standards**

PureGuard II is FM Approved for use without sprinklers, subject to the conditions of approval as a Fume and/or Exhaust Duct, when installed in accordance with instructions shown in the current edition of the FM Approval Guide.

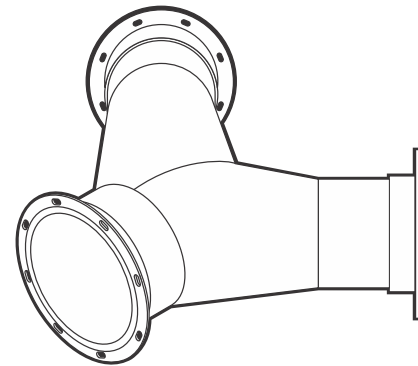


**Options:**

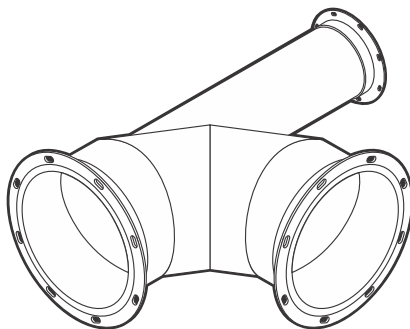
- Stainless bolt set
- Stainless flange rings
- Quick Clamps 2"-14"Ø



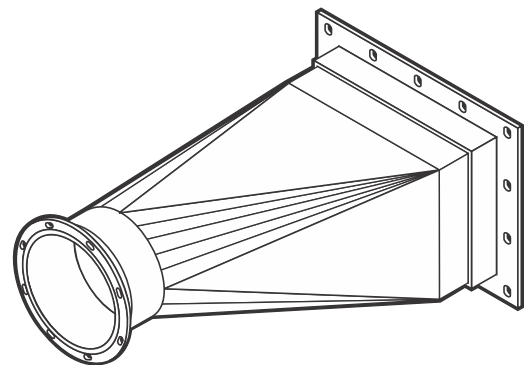
90 DEGREE REDUCING TEE



90 DEGREE WYE



ELBOW WITH HEEL TAP



ECCENTRIC ROUND TO RECTANGULAR TRANSITION

**PureGuard LLC**  
1010 South 65th Ave., No. 100, Phoenix, AZ 85043  
T 623.478.1800 / F 623.478.1860  
Email: info@pureguard2.com

This document contains confidential and proprietary information intended solely for the use of individuals or entities for reference only. The information contained herein shall not be disclosed, copied, or distributed other than for the intended purpose without express written consent of PureGuard LLC.

Fitting: **Field Installed Straight Saddle Tap**

**PureGuard II Standards**

Ring Type | **SS** Stainless Steel Rings - Avail 4" - 120"Ø  
 | **BI** Black Iron (coated) Rings - Avail 4" - 48"Ø  
 | **QC** Quick Clamp - Avail 2" - 14"Ø

PureGuard II is FM Approved for use without sprinklers, subject to the conditions of approval as a Fume and/or Exhaust Duct, when installed in accordance with instructions shown in the current edition of the FM Approval Guide.

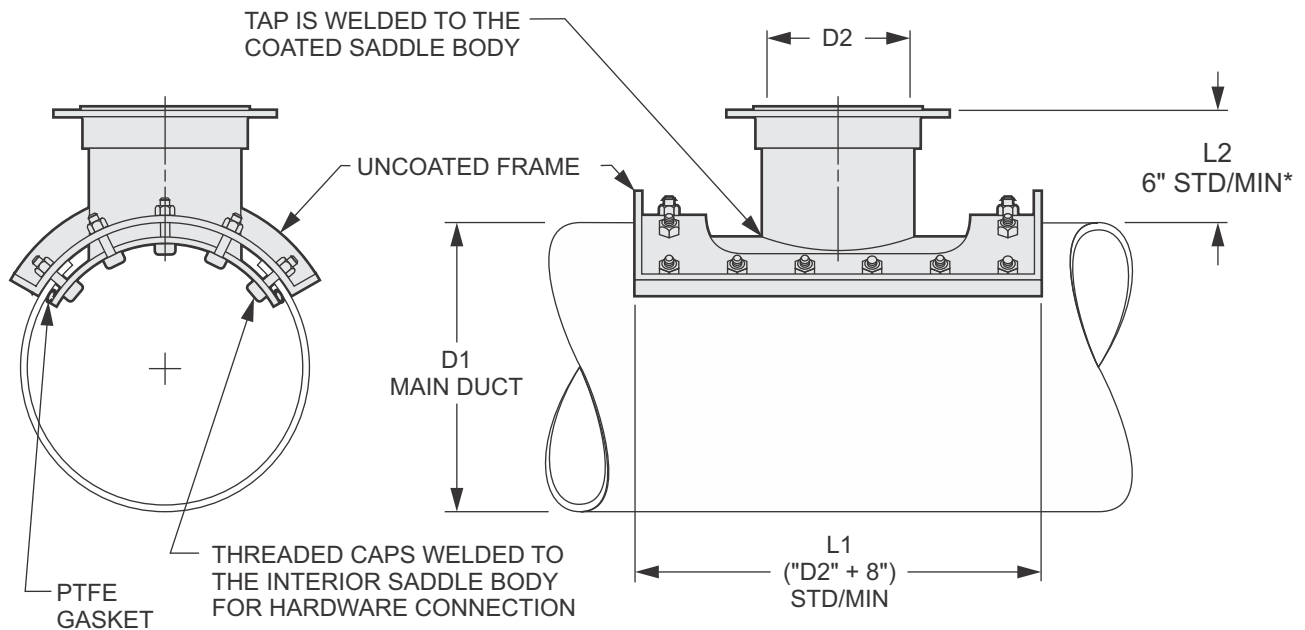


Ring | Rings are loose < 32" diameter  
 | Rings are fixed 32" diameter and larger

Note | **Project Specifications:** Standard Design & Materials, -6" w.c., 2" and 3" branch connections ship standard with 2" stand-offs, quick clamps and gasket  
 | **Saddle Specifications:** The Main Duct is to be sandwiched between the body and the frame  
 | \*2" Standard on 2" and 3" diameter taps  
 | **Ships Standard:** A-36 steel rings, SS rings > 48" diameter, one plated bolt set and gasket

**Options:**

- Stainless bolt set
- Stainless Flange Rings
- Quick Clamps 2"-14"Ø





Fitting: **Field Installed Conical Saddle Tap**

Ring Type | **SS** Stainless Steel Rings - Avail 4" - 120"Ø  
**BI** Black Iron (coated) Rings - Avail 4" - 48"Ø  
**QC** Quick Clamp - Avail 2" - 14"Ø

Ring | Rings are loose < 32" diameter  
Rings are fixed 32" diameter and larger

Note | **Project Specifications:** Standard Design & Materials, -6" w.c., 2" and 3" branch connections ship standard with 2" stand-offs, quick clamps and gasket  
**Saddle Specifications:** The Main Duct is to be sandwiched between the body and the frame  
**Ships Standard:** A-36 steel rings, SS rings > 48" diameter, one plated bolt set and gasket

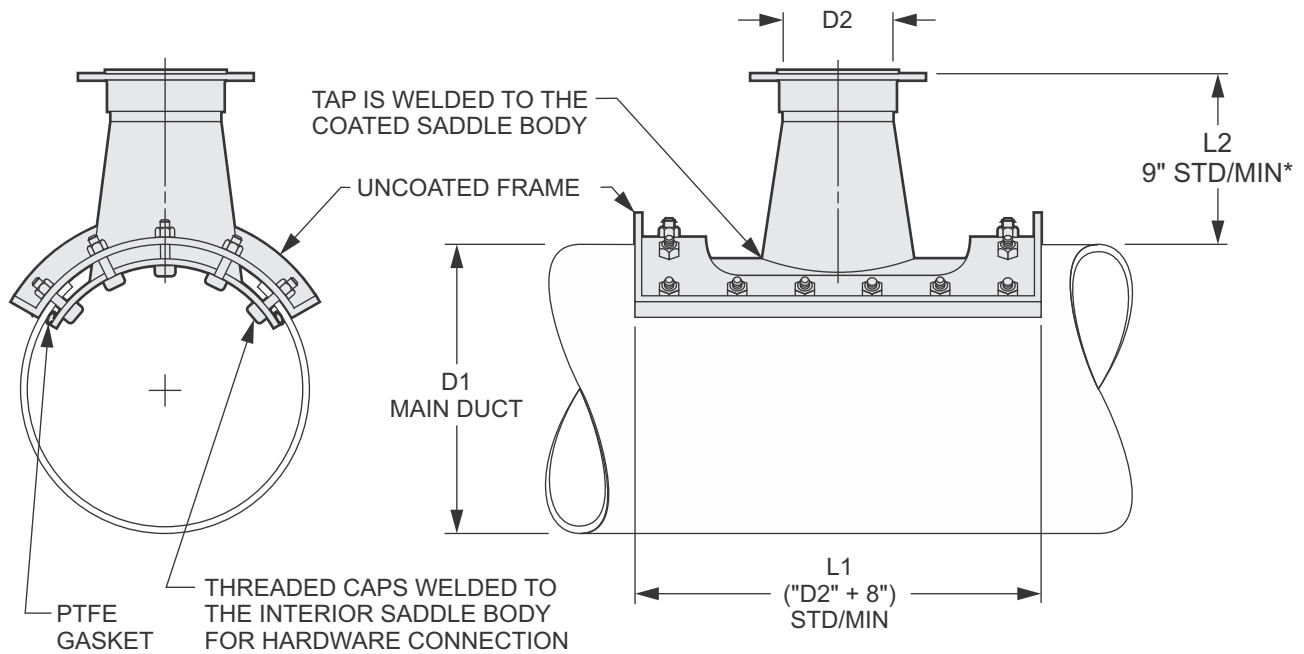
**PureGuard II Standards**

PureGuard II is FM Approved for use without sprinklers, subject to the conditions of approval as a Fume and/or Exhaust Duct, when installed in accordance with instructions shown in the current edition of the FM Approval Guide.



**Options:**

- Stainless bolt set
- Stainless Flange Rings
- Quick Clamps 2"-14"Ø



Fitting: **Field Installed Shoe Saddle Tap**

Ring Type | **SS** Stainless Steel Rings - Avail 4" - 120"Ø  
**BI** Black Iron (coated) Rings - Avail 4" - 48"Ø  
**QC** Quick Clamp - Avail 2" - 14"Ø

Ring | Rings are loose < 32" diameter  
Rings are fixed 32" diameter and larger

Note | **Project Specifications:** Standard Design & Materials, -6" w.c.  
**Saddle Specifications:** The Main Duct is to be sandwiched between the body and the frame  
**Ships Standard:** A-36 steel rings, SS rings > 48" diameter, one plated bolt set and gasket

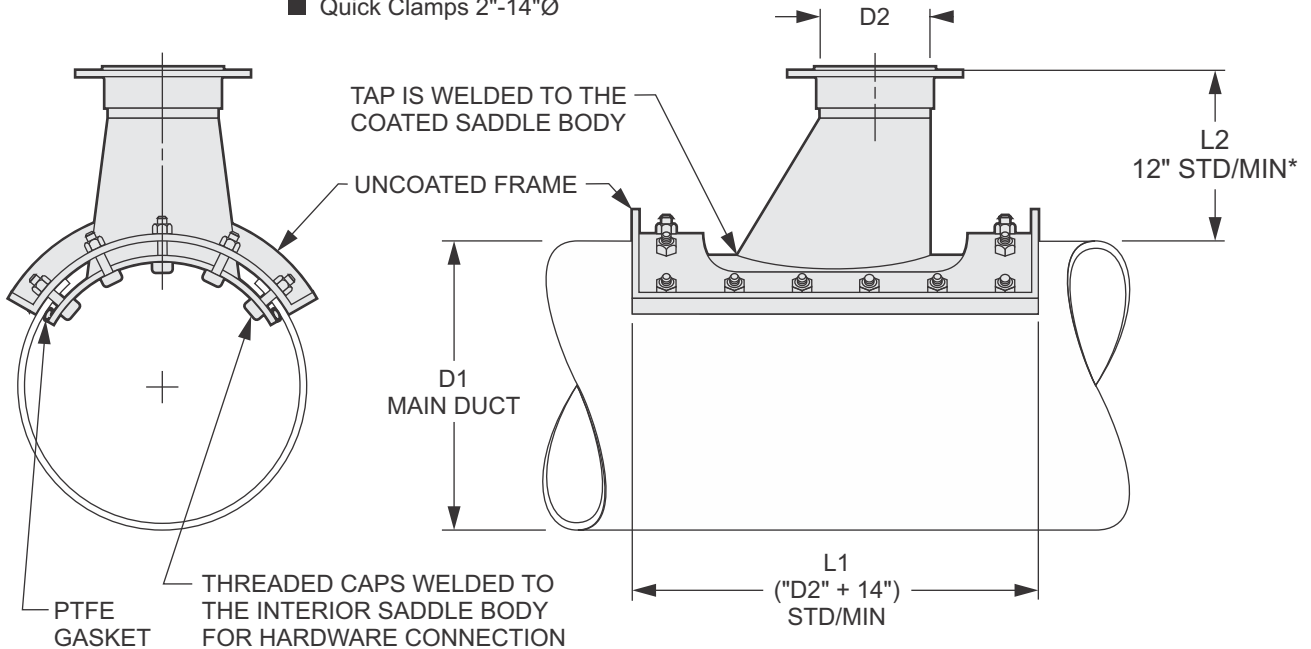
PureGuard II is FM Approved for use without sprinklers, subject to the conditions of approval as a Fume and/or Exhaust Duct, when installed in accordance with instructions shown in the current edition of the FM Approval Guide.

**PureGuard II Standards**



**Options:**

- Stainless bolt set
- Stainless flange rings
- Quick Clamps 2"-14"Ø



Fitting: **Field Installed 45° Lateral Saddle Tap**

Ring Type | **SS** Stainless Steel Rings - Avail 4" - 120"Ø  
**BI** Black Iron (coated) Rings - Avail 4" - 48"Ø  
**QC** Quick Clamp - Avail 2" - 14"Ø

Ring | Rings are loose < 32" diameter  
Rings are fixed 32" diameter and larger

Note | **Project Specifications:** Standard Design & Materials, -6" w.c., 2" and 3" branch connections ship standard with quick clamps and gasket  
**Saddle Specifications:** The Main Duct is to be sandwiched between the body and the frame  
**Ships Standard:** A-36 steel rings > 3", SS rings > 48" diameter, one plated bolt set and gasket

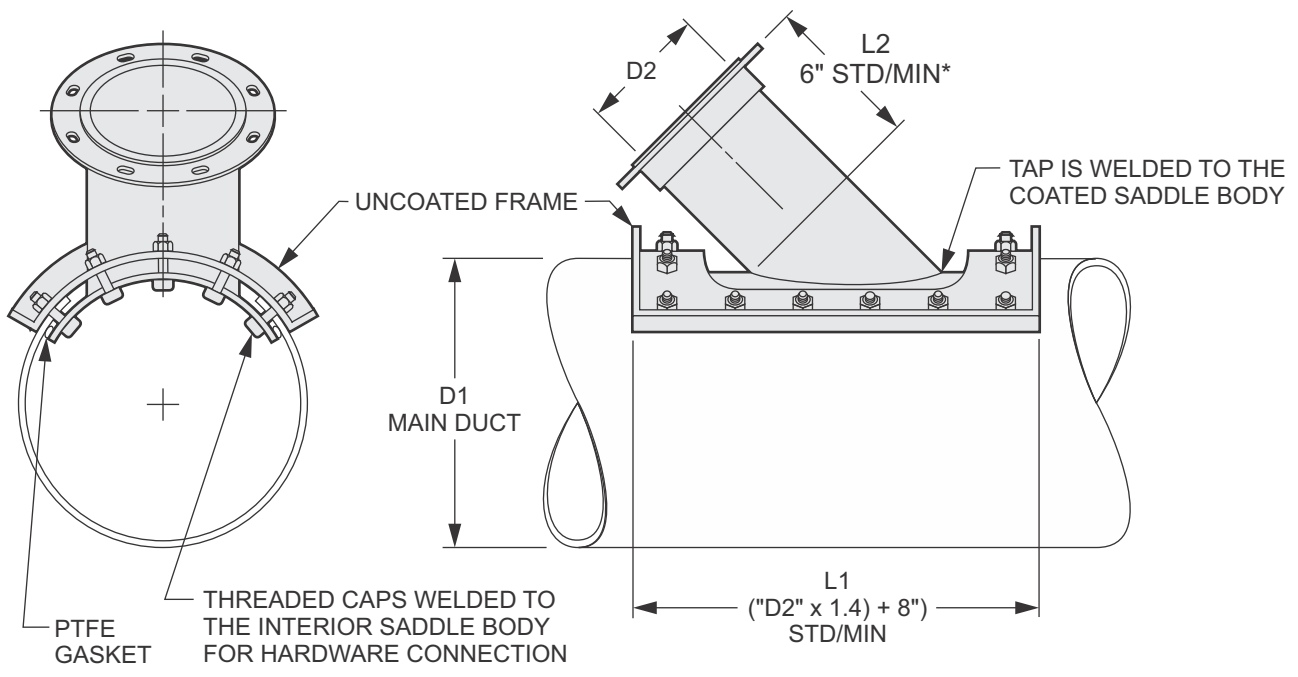
**PureGuard II Standards**

PureGuard II is FM Approved for use without sprinklers, subject to the conditions of approval as a Fume and/or Exhaust Duct, when installed in accordance with instructions shown in the current edition of the FM Approval Guide.



**Options:**

- Stainless bolt set
- Stainless flange rings
- Quick Clamps 2"-14"Ø



**PureGuard LLC**  
1010 South 65th Ave., No. 100, Phoenix, AZ 85043  
T 623.478.1800 / F 623.478.1860  
Email: info@pureguard2.com

This document contains confidential and proprietary information intended solely for the use of individuals or entities for reference only. The information contained herein shall not be disclosed, copied, or distributed other than for the intended purpose without express written consent of PureGuard LLC.

Fitting: **Field Installed 2" & 3" QC Flange**

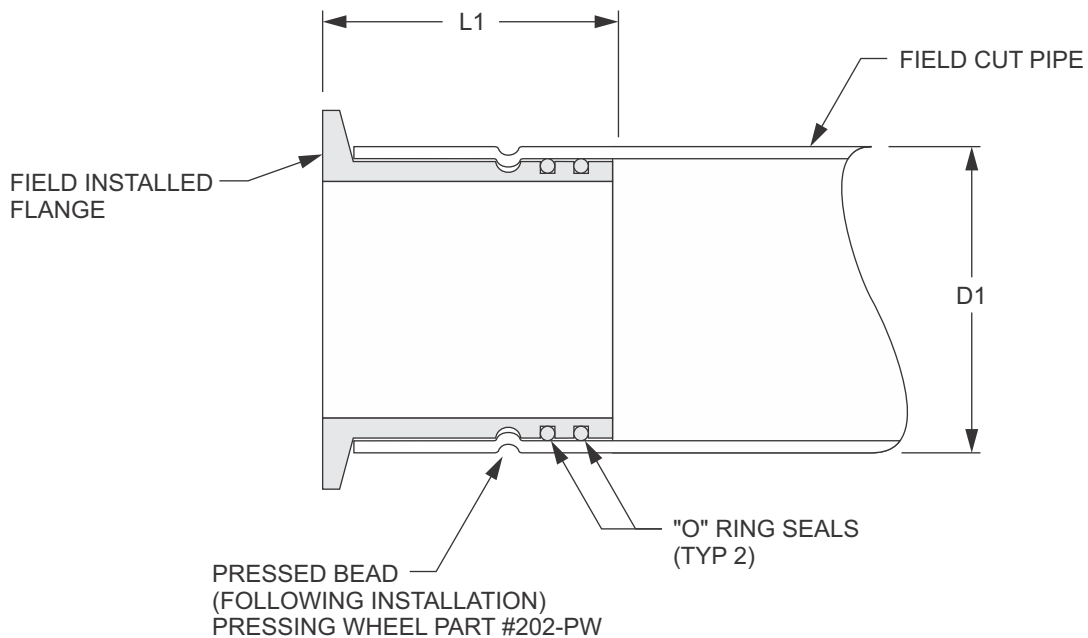
Ring Type | **SS** Stainless Steel Rings - Avail 4" - 120"Ø  
 | **BI** Black Iron (coated) Rings - Avail 4" - 48"Ø  
 | **QC** Quick Clamp - Avail 2" - 14"Ø

Ring | Rings are loose < 32" diameter  
 | Rings are fixed 32" diameter and larger

Note | **Project Specifications:** Standard Design & Materials, -6" w.c.  
 | **Flange Specifications:** Field installed flanges are only used on 2" and 3" diameter duct  
 | **Ships Standard:** "O" ring seals

PureGuard II is FM Approved for use without sprinklers, subject to the conditions of approval as a Fume and/or Exhaust Duct, when installed in accordance with instructions shown in the current edition of the FM Approval Guide.

**PureGuard II Standards**

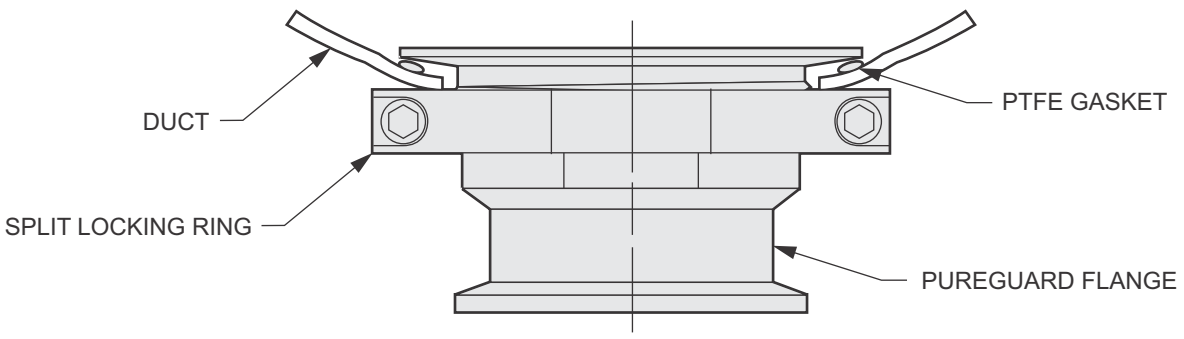


Fitting: **Field Installed 2" Diameter Bulkhead Flange**

- Ring Type | **SS** Stainless Steel Rings - Avail 4" - 120"Ø  
**BI** Black Iron (coated) Rings - Avail 4" - 48"Ø  
**QC** Quick Clamp - Avail 2" - 14"Ø
- Ring | Rings are loose < 32" diameter  
Rings are fixed 32" diameter and larger
- Note | **Project Specifications:** Standard Design & Materials, -6" w.c., Field installed bulkhead connection flange for 2" diameter  
**Ships Standard:** One bulkhead gasket

PureGuard II is FM Approved for use without sprinklers, subject to the conditions of approval as a Fume and/or Exhaust Duct, when installed in accordance with instructions shown in the current edition of the FM Approval Guide.

**PureGuard II Standards**



**PureGuard LLC**  
1010 South 65th Ave., No. 100, Phoenix, AZ 85043  
T 623.478.1800 / F 623.478.1860  
Email: info@pureguard2.com

This document contains confidential and proprietary information intended solely for the use of individuals or entities for reference only. The information contained herein shall not be disclosed, copied, or distributed other than for the intended purpose without express written consent of PureGuard LLC.

Fitting: **Field Installed MNPT Nipple**

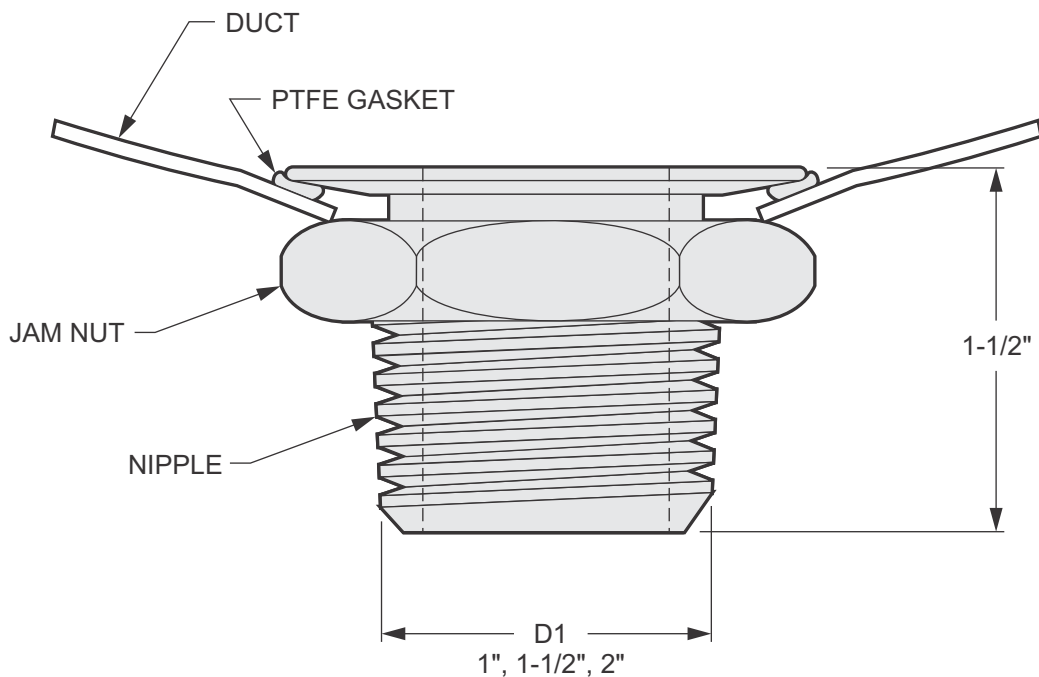
Ring Type | **SS** Stainless Steel Rings - Avail 4" - 120"Ø  
 | **BI** Black Iron (coated) Rings - Avail 4" - 48"Ø  
 | **QC** Quick Clamp - Avail 2" - 14"Ø

Ring | Rings are loose < 32" diameter  
 | Rings are fixed 32" diameter and larger

Note | **Project Specifications:** Standard Design & Materials, -6" w.c.  
 | **Ships Standard:** Clamp, gasket and SS nipple, jamb nut and gasket (un-coated threads)  
 | **Note:** Threads are un-coated on nipples and subject to corrosion, nipple connections are therefore not warranted by PureGuard LLC for corrosion related failures

**PureGuard II Standards**

PureGuard II is FM Approved for use without sprinklers, subject to the conditions of approval as a Fume and/or Exhaust Duct, when installed in accordance with instructions shown in the current edition of the FM Approval Guide.



Fitting: **Field Installed Sample Ports**

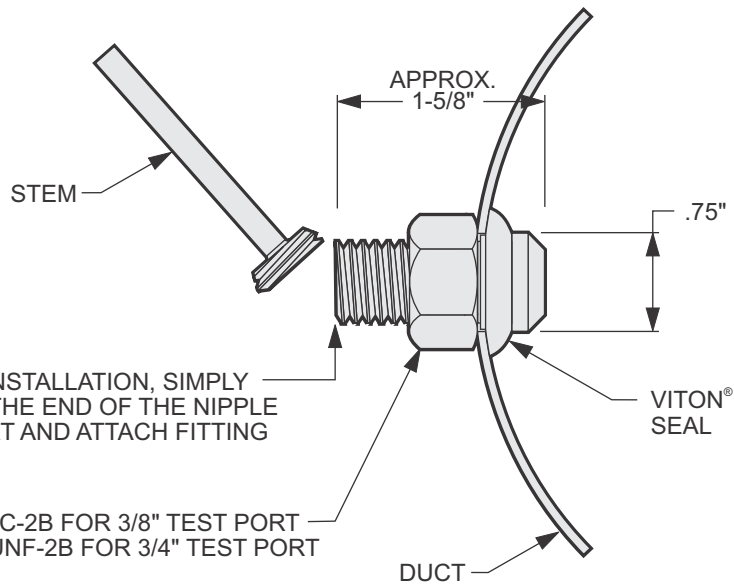
Ring Type | **SS** Stainless Steel Rings - Avail 4" - 120"Ø  
 | **BI** Black Iron (coated) Rings - Avail 4" - 48"Ø  
 | **QC** Quick Clamp - Avail 2" - 14"Ø

Ring | Rings are loose < 32" diameter  
 | Rings are fixed 32" diameter and larger

Note | **Project Specifications:** Standard Design & Materials, -6" w.c.  
 | **Ships Standard:** ECTFE port, Viton seal and SS jamb nut  
 | **Note:** 1/4" Port suitable for duct diameter 2" or greater, 1/2" port for 6" diameter or greater

**PureGuard II Standards**

PureGuard II is FM Approved for use without sprinklers, subject to the conditions of approval as a Fume and/or Exhaust Duct, when installed in accordance with instructions shown in the current edition of the FM Approval Guide.



TO COMPLETE THE INSTALLATION, SIMPLY CUT THE STEM OFF THE END OF THE NIPPLE TO EXPOSE THE PORT AND ATTACH FITTING OR LINE.

HEX NUT 5/8-11UNC-2B FOR 3/8" TEST PORT  
 HEX NUT 1-1/8-12UNF-2B FOR 3/4" TEST PORT

Fitting: **Angle Rings**

Ring Type | **SS** Stainless Steel Rings - Avail 4" - 120"Ø  
**BI** Black Iron (coated) Rings - Avail 4" - 48"Ø  
**QC** Quick Clamp - Avail 2" - 14"Ø

Ring | Rings are loose < 32" diameter  
Rings are fixed 32" diameter and larger

Note | **Project Specifications:** Standard Design & Materials, -6" w.c.  
**Ships Standard:** A-36 steel rings, SS rings > 48" diameter, floating ring through 30" diameter

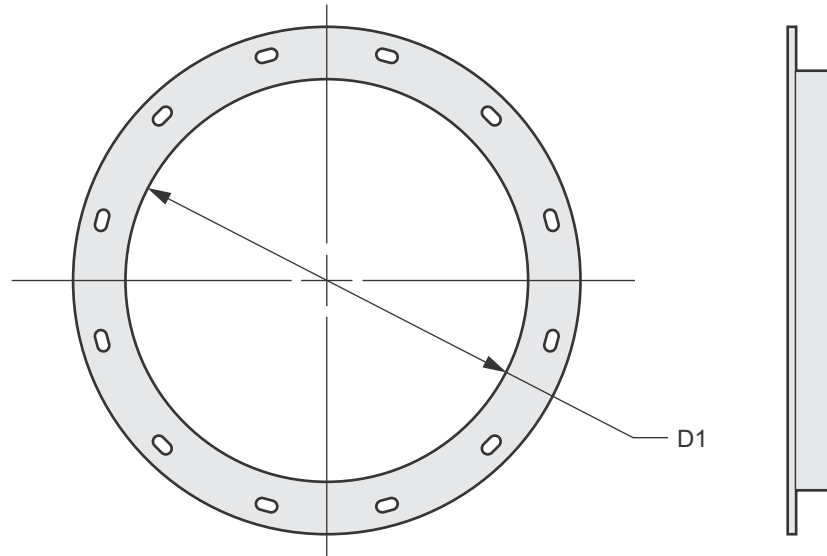
**PureGuard II Standards**

PureGuard II is FM Approved for use without sprinklers, subject to the conditions of approval as a Fume and/or Exhaust Duct, when installed in accordance with instructions shown in the current edition of the FM Approval Guide.



**Options:**

- Stainless bolt set
- Stainless flange rings
- Alternative drilling pattern





Fitting: **Quick Clamp**

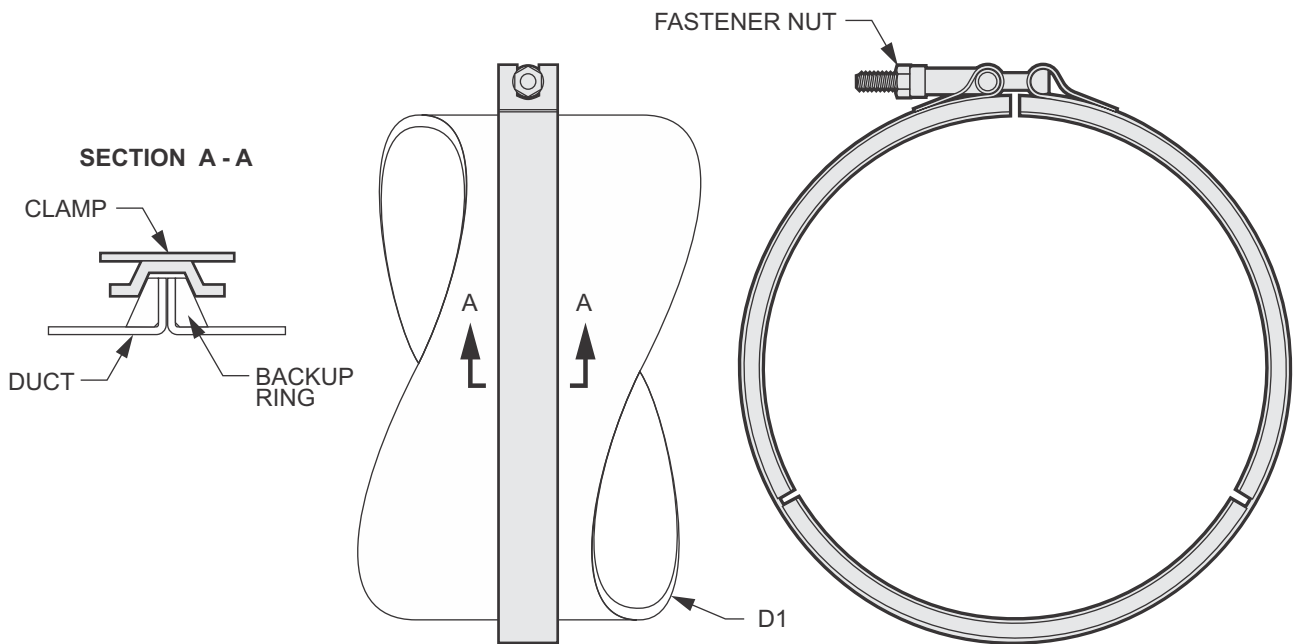
Ring Type | **SS** Stainless Steel Rings - Avail 4" - 120"Ø  
**BI** Black Iron (coated) Rings - Avail 4" - 48"Ø  
**QC** Quick Clamp - Avail 2" - 14"Ø

Ring | Rings are loose < 32" diameter  
Rings are fixed 32" diameter and larger

Note | **Description:** Clamps are stainless steel, backup rings are aluminum, gaskets are Teflon  
**Project Specifications:** Standard Design & Materials, -6" w.c.  
**Ships Standard:** PTFE Gaskets (all sizes), and two (2) floating backing rings (required on >= 4" diameter)

PureGuard II is FM Approved for use without sprinklers, subject to the conditions of approval as a Fume and/or Exhaust Duct, when installed in accordance with instructions shown in the current edition of the FM Approval Guide.

**PureGuard II Standards**



Fitting: **End Cap**

Ring Type | **SS** Stainless Steel Rings - Avail 4" - 120"Ø  
 | **BI** Black Iron (coated) Rings - Avail 4" - 48"Ø  
 | **QC** Quick Clamp - Avail 2" - 14"Ø

Ring | Rings are loose < 32" diameter  
 | Rings are fixed 32" diameter and larger

Note | **Project Specifications:** Standard Design & Materials, -6" w.c.  
 | **End Cap Specifications:** A support stiffener may be required for end cap sizes over 36" diameter  
 | **Ships Standard:** Plated bolt set and gasket, Stiffeners (on > 34") and thicknesses may be varied to suit design conditions

**PureGuard II Standards**

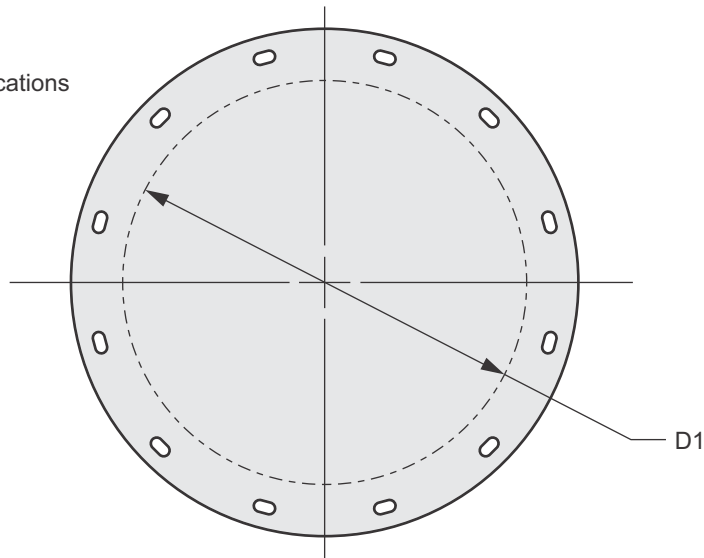
PureGuard II is FM Approved for use without sprinklers, subject to the conditions of approval as a Fume and/or Exhaust Duct, when installed in accordance with instructions shown in the current edition of the FM Approval Guide.



**Options:**

- Stainless bolt set
- Stainless flange rings
- Quick Clamps 2"-14"Ø

Refer to Angle Ring Specifications  
Page 1-5 for more details.



Fitting: **Clear View Cover**

Ring Type | **SS** Stainless Steel Rings - Avail 4" - 120"Ø  
**BI** Black Iron (coated) Rings - Avail 4" - 48"Ø  
**QC** Quick Clamp - Avail 2" - 14"Ø

Ring | Rings are loose < 32" diameter  
Rings are fixed 32" diameter and larger

Note | **Project Specifications:** Standard Design & Materials, -6" w.c.  
**Ships Standard:** With clear polycarbonate cover, one plated bolt set and gasket

PureGuard II is FM Approved for use without sprinklers, subject to the conditions of approval as a Fume and/or Exhaust Duct, when installed in accordance with instructions shown in the current edition of the FM Approval Guide.

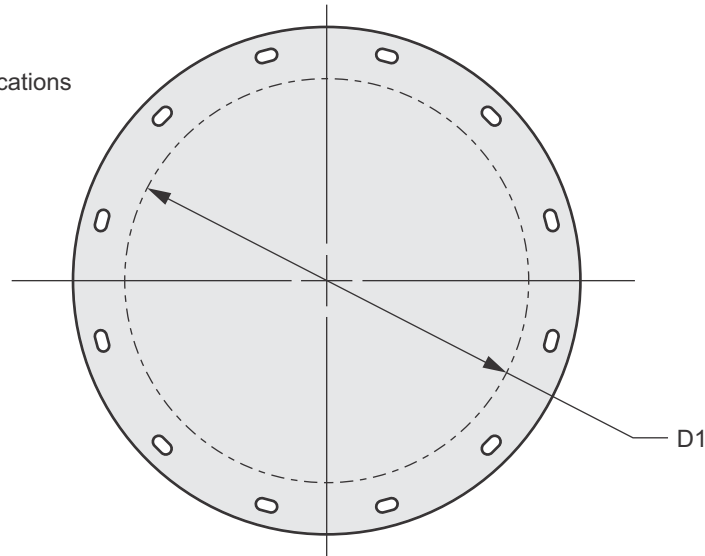
**PureGuard II Standards**



**Options:**

- Stainless bolt set
- Clear Acrylic Blank
- Halar protective clear film
- Clear PVC blank (max. 0.50" thk)

Refer to Angle Ring Specifications  
Page 1-5 for more details.



Fitting: **End Cap for Quick Clamp**

Ring Type | **SS** Stainless Steel Rings - Avail 4" - 120"Ø  
 | **BI** Black Iron (coated) Rings - Avail 4" - 48"Ø  
 | **QC** Quick Clamp - Avail 2" - 14"Ø

Ring | Rings are loose < 32" diameter  
 | Rings are fixed 32" diameter and larger

Note | **Project Specifications:** Standard Design & Materials, -6" w.c.  
 | **Clamp Specifications:** End cap sizes for 4" - 14" diameter

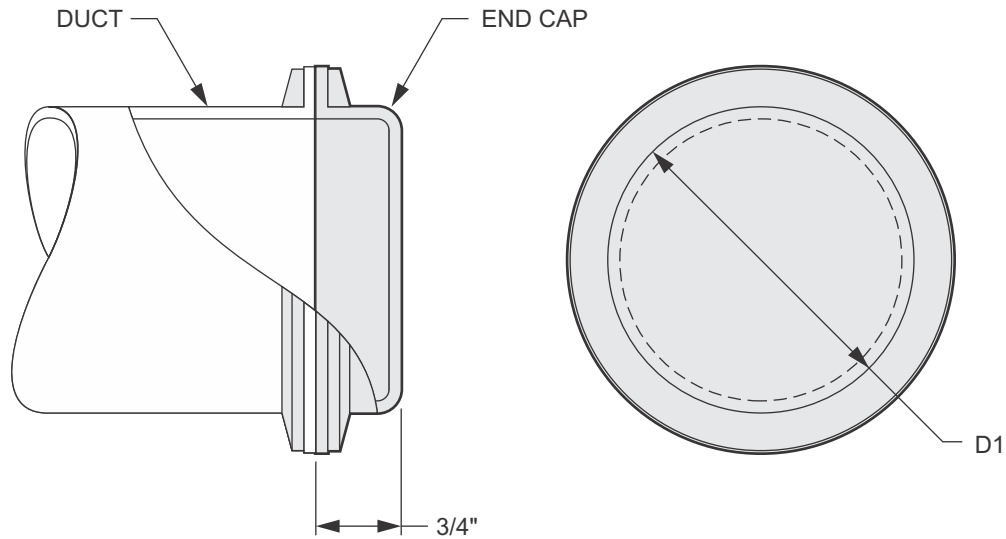
PureGuard II is FM Approved for use without sprinklers, subject to the conditions of approval as a Fume and/or Exhaust Duct, when installed in accordance with instructions shown in the current edition of the FM Approval Guide.

**PureGuard II Standards**



**Options:**

- Alternative lengths



Fitting: **Special Plate Flange**

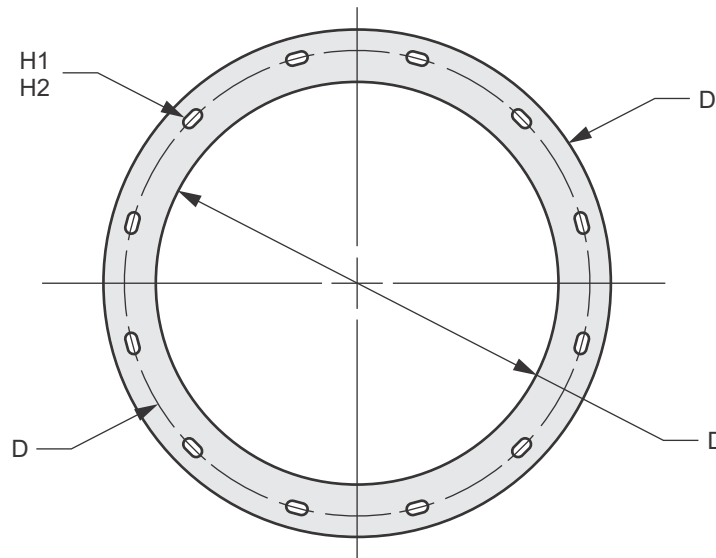
Ring Type | **SS** Stainless Steel Rings - Avail 4" - 120"Ø  
**BI** Black Iron (coated) Rings - Avail 4" - 48"Ø  
**QC** Quick Clamp - Avail 2" - 14"Ø

Ring | Rings are loose < 32" diameter  
Rings are fixed 32" diameter and larger

Note | **Project Specifications:** Standard Design & Materials, -6" w.c.  
**Ships Standard:** One plated bolt set and gasket

PureGuard II is FM Approved for use without sprinklers, subject to the conditions of approval as a Fume and/or Exhaust Duct, when installed in accordance with instructions shown in the current edition of the FM Approval Guide.

**PureGuard II Standards**



Fitting: **No Loss Stack Cap**

Ring Type | **SS** Stainless Steel Rings - Avail 4" - 120"Ø  
**BI** Black Iron (coated) Rings - Avail 4" - 48"Ø  
**QC** Quick Clamp - Avail 2" - 14"Ø

Ring | Rings are loose < 32" diameter  
Rings are fixed 32" diameter and larger

Note | **Project Specifications:** Standard Design & Materials, -6" w.c.  
**Note:** Lengths over 120" may ship in sections for field bolt-up

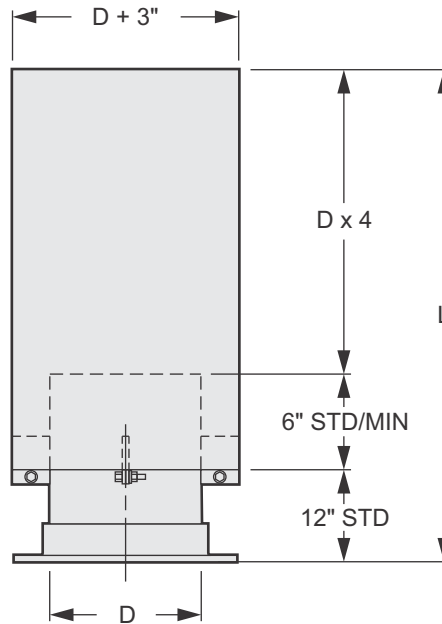
PureGuard II is FM Approved for use without sprinklers, subject to the conditions of approval as a Fume and/or Exhaust Duct, when installed in accordance with instructions shown in the current edition of the FM Approval Guide.

**PureGuard II Standards**



**Options:**

- Stainless bolt set
- Stainless flange rings
- Quick Clamps 2"-14"Ø
- Un-coated wind band



Fitting: **QC Flange to Angle Ring Adapter**

Ring Type | **SS** Stainless Steel Rings - Avail 4" - 120"Ø  
 | **BI** Black Iron (coated) Rings - Avail 4" - 48"Ø  
 | **QC** Quick Clamp - Avail 2" - 14"Ø

Ring | Rings are loose < 32" diameter  
 | Rings are fixed 32" diameter and larger

Note | **Project Specifications:** Standard Design & Materials, -6" w.c.  
 | **Adapter Specifications:** Adapter sizes available for 2" - 14" diameter duct  
 | **Ships Standard:** Clamp, one plated bolt set and gaskets for both ends

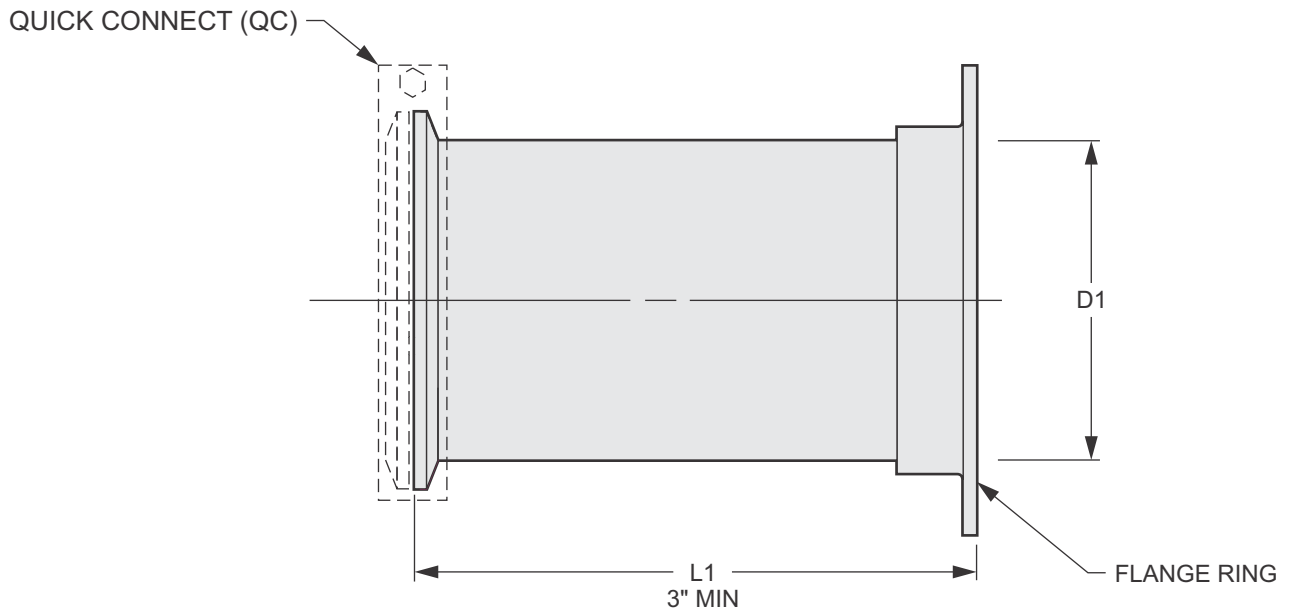
PureGuard II is FM Approved for use without sprinklers, subject to the conditions of approval as a Fume and/or Exhaust Duct, when installed in accordance with instructions shown in the current edition of the FM Approval Guide.

**PureGuard II Standards**



**Options:**

- Alternative lengths
- Stainless bolt set
- Alternative drilling



Fitting: **QC Flange to KF Flange Adapter**

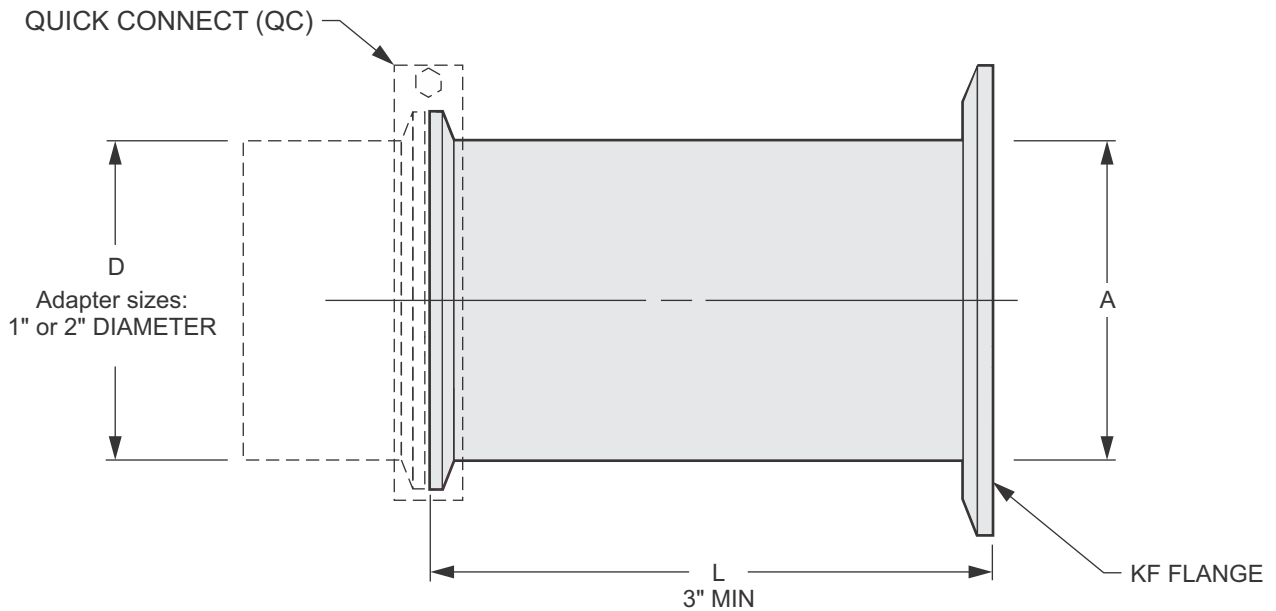
Ring Type | **SS** Stainless Steel Rings - Avail 4" - 120"Ø  
 | **BI** Black Iron (coated) Rings - Avail 4" - 48"Ø  
 | **QC** Quick Clamp - Avail 2" - 14"Ø

Ring | Rings are loose < 32" diameter  
 | Rings are fixed 32" diameter and larger

Note | **Project Specifications:** Standard Design & Materials, -6" w.c.  
 | **Ships Standard:** Clamp and gasket for Quick Clamp end

**PureGuard II Standards**

PureGuard II is FM Approved for use without sprinklers, subject to the conditions of approval as a Fume and/or Exhaust Duct, when installed in accordance with instructions shown in the current edition of the FM Approval Guide.





Fitting: **QC Flange to ISO Flange Adapter**

Ring Type | **SS** Stainless Steel Rings - Avail 4" - 120"Ø  
 | **BI** Black Iron (coated) Rings - Avail 4" - 48"Ø  
 | **QC** Quick Clamp - Avail 2" - 14"Ø

Ring | Rings are loose < 32" diameter  
 | Rings are fixed 32" diameter and larger

Note | **Project Specifications:** Standard Design & Materials, -6" w.c.  
 | **Adapter Specifications:** Adapter sizes available for 3" - 4" diameter duct  
 | **Ships Standard:** Clamp and gasket for Quick Clamp end

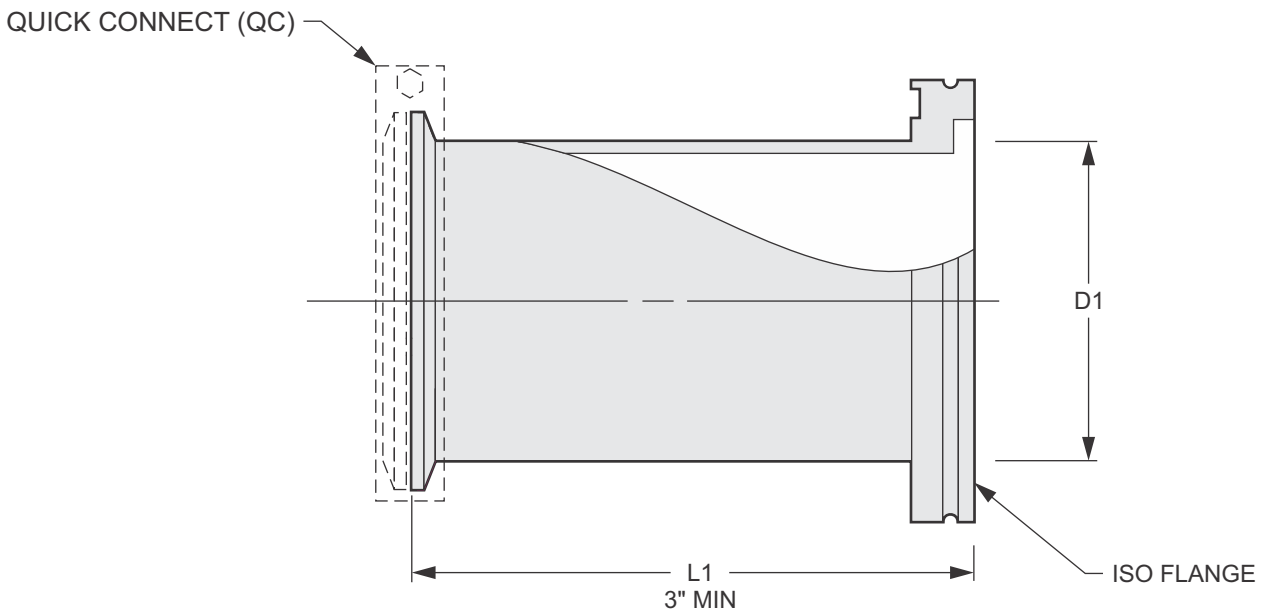
**PureGuard II Standards**

PureGuard II is FM Approved for use without sprinklers, subject to the conditions of approval as a Fume and/or Exhaust Duct, when installed in accordance with instructions shown in the current edition of the FM Approval Guide.



**Options:**

- Stainless bolt set
- Angle ring in place of Quick Clamp
- Larger sizes upon request



Fitting: **QC Flange to Sanitary Flange Adapter**

**PureGuard II Standards**

Ring Type | **SS** Stainless Steel Rings - Avail 4" - 120"Ø  
 | **BI** Black Iron (coated) Rings - Avail 4" - 48"Ø  
 | **QC** Quick Clamp - Avail 2" - 14"Ø

PureGuard II is FM Approved for use without sprinklers, subject to the conditions of approval as a Fume and/or Exhaust Duct, when installed in accordance with instructions shown in the current edition of the FM Approval Guide.

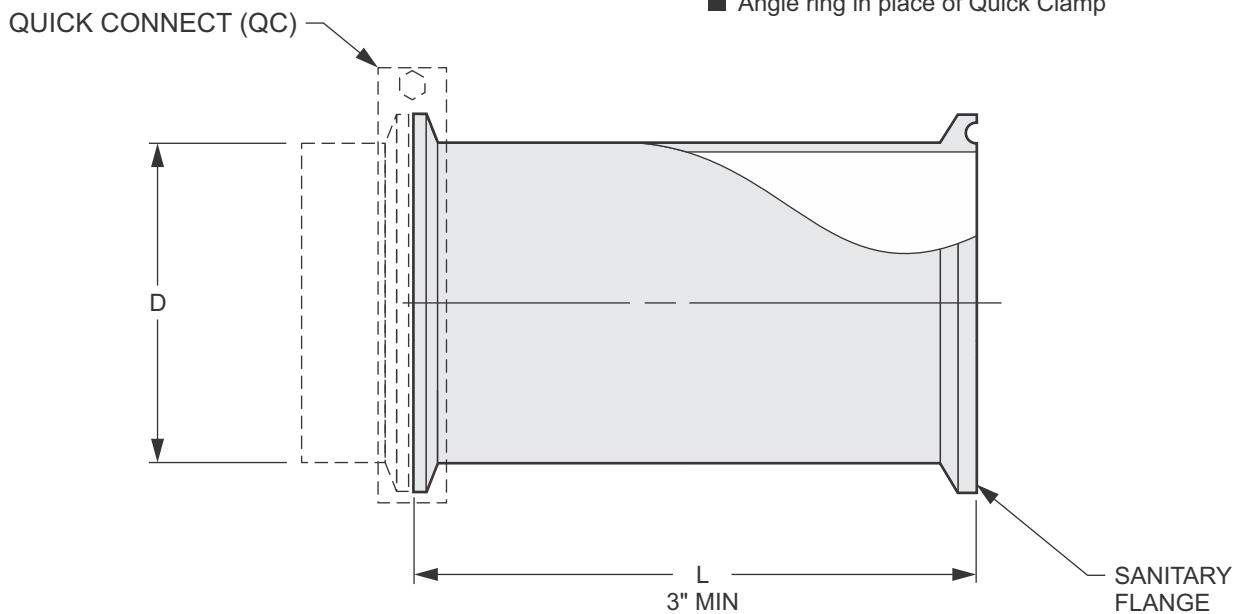


Ring | Rings are loose < 32" diameter  
 | Rings are fixed 32" diameter and larger

Note | **Project Specifications:** Standard Design & Materials, -6" w.c.  
 | **Ships Standard:** Clamp and gasket for Quick Clamp end

**Options:**

- Stainless bolt set
- Angle ring in place of Quick Clamp



Fitting: **QC Flange to Male / Female NPT**

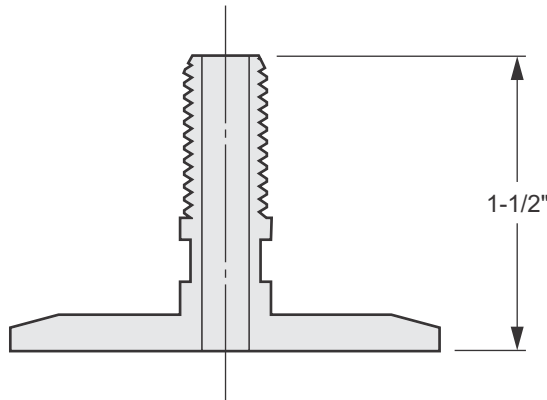
Ring Type | **SS** Stainless Steel Rings - Avail 4" - 120"Ø  
 | **BI** Black Iron (coated) Rings - Avail 4" - 48"Ø  
 | **QC** Quick Clamp - Avail 2" - 14"Ø

Ring | Rings are loose < 32" diameter  
 | Rings are fixed 32" diameter and larger

Note | **Project Specifications:** Standard Design & Materials, -6" w.c.  
 | **Nipple Specifications:** Threads are un-coated on nipples and subject to corrosion.  
 | Nipples not warranted by PureGuard LLC.  
 | **Ships Standard:** Clamp and gasket for Quick Clamp end

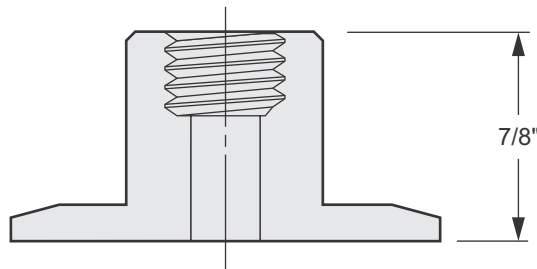
PureGuard II is FM Approved for use without sprinklers, subject to the conditions of approval as a Fume and/or Exhaust Duct, when installed in accordance with instructions shown in the current edition of the FM Approval Guide.

**PureGuard II Standards**



**AVAILABLE MALE ADAPTERS (COATED): SS-219**

- 2" QC x 1/4" - 2" MNPT NIPPLE
- 3" QC x 1/4" - 3" MNPT NIPPLE



**AVAILABLE FEMALE ADAPTERS (NON-COATED): SS-220**

- 2" QC x 1/4" - 2" FNPT
- 3" QC x 1/4" - 3" FNPT

Fitting: **QC Flange to PITOT Tube Adapter**

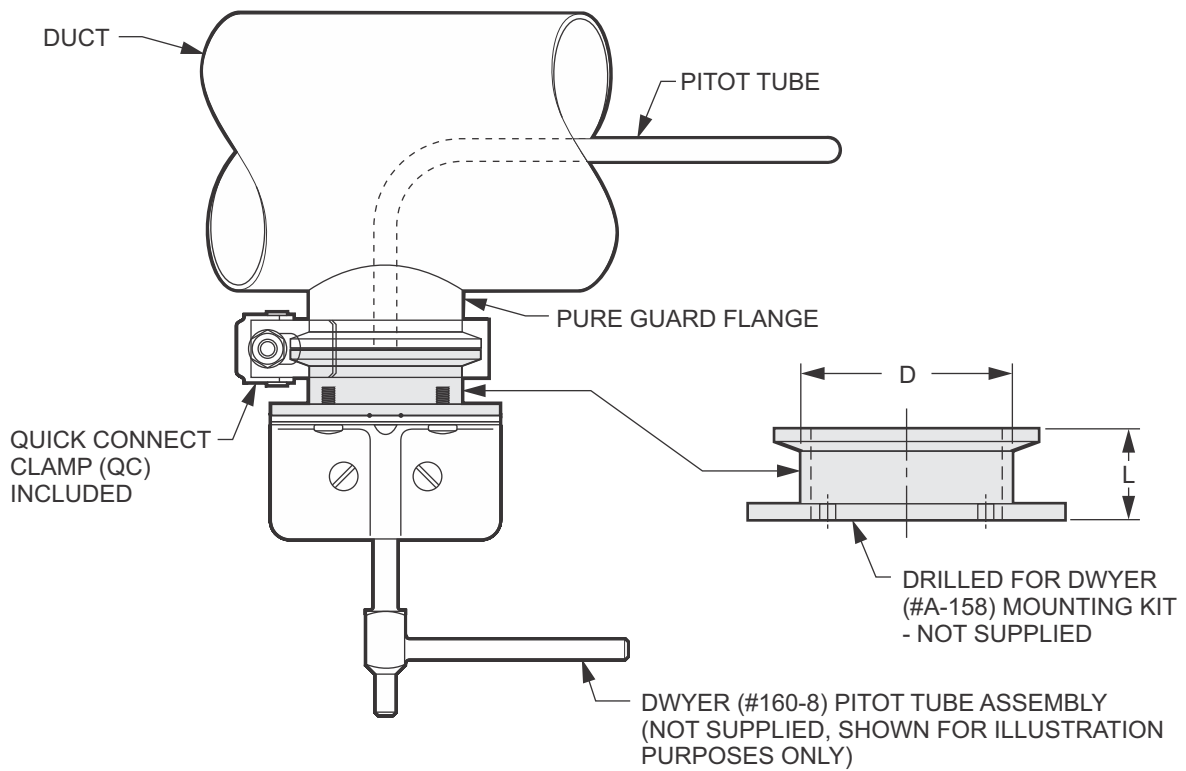
Ring Type | **SS** Stainless Steel Rings - Avail 4" - 120"Ø  
 | **BI** Black Iron (coated) Rings - Avail 4" - 48"Ø  
 | **QC** Quick Clamp - Avail 2" - 14"Ø

Ring | Rings are loose < 32" diameter  
 | Rings are fixed 32" diameter and larger

Note | **Project Specifications:** Standard Design & Materials, -6" w.c.  
 | **Ships Standard:** Clamp and gasket for Quick Clamp end  
 | (Dwyer Pitot Tube Assembly not included)

PureGuard II is FM Approved for use without sprinklers, subject to the conditions of approval as a Fume and/or Exhaust Duct, when installed in accordance with instructions shown in the current edition of the FM Approval Guide.

**PureGuard II Standards**



Fitting: **QC Flange to Sprinkler Adapter**

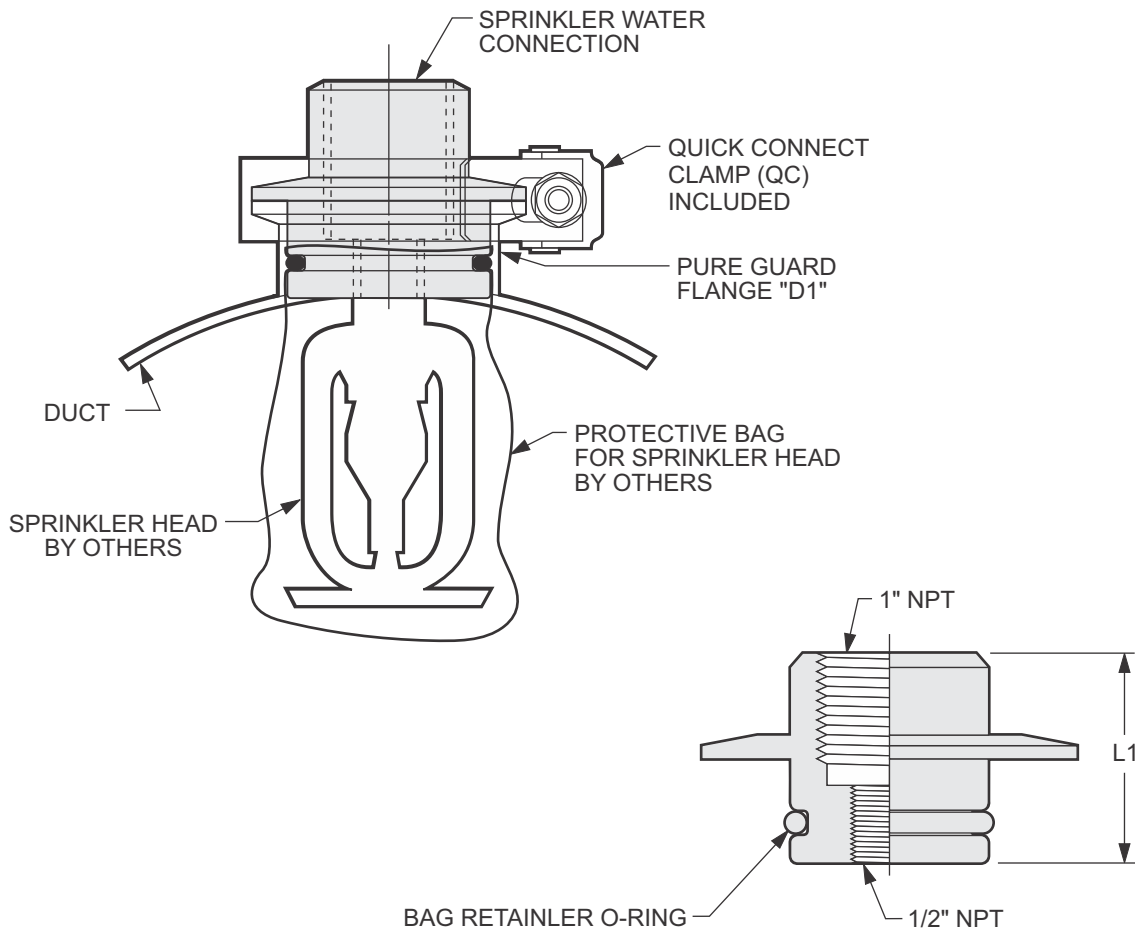
Ring Type | **SS** Stainless Steel Rings - Avail 4" - 120"Ø  
 | **BI** Black Iron (coated) Rings - Avail 4" - 48"Ø  
 | **QC** Quick Clamp - Avail 2" - 14"Ø

Ring | Rings are loose < 32" diameter  
 | Rings are fixed 32" diameter and larger

Note | **Project Specifications:** Standard Design & Materials, -6" w.c.  
 | **Ships Standard:** Clamp and gasket for Quick Clamp end  
 | **Note:** Threads are un-coated on nipples and subject to corrosion, nipple connections are therefore not warranted by PureGuard LLC for corrosion related failures

PureGuard II is FM Approved for use without sprinklers, subject to the conditions of approval as a Fume and/or Exhaust Duct, when installed in accordance with instructions shown in the current edition of the FM Approval Guide.

**PureGuard II Standards**



**PureGuard LLC**  
 1010 South 65th Ave., No. 100, Phoenix, AZ 85043  
 T 623.478.1800 / F 623.478.1860  
 Email: info@pureguard2.com

This document contains confidential and proprietary information intended solely for the use of individuals or entities for reference only. The information contained herein shall not be disclosed, copied, or distributed other than for the intended purpose without express written consent of PureGuard LLC.

Fitting: **ISO Flange to Dual Guard Adapter**

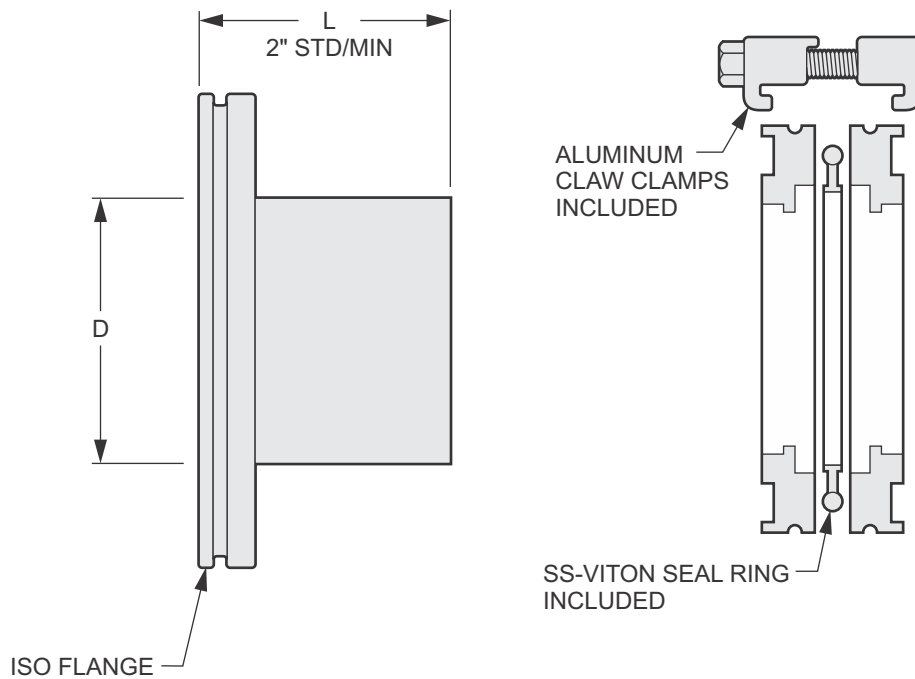
Ring Type | **SS** Stainless Steel Rings - Avail 4" - 120"Ø  
 | **BI** Black Iron (coated) Rings - Avail 4" - 48"Ø  
 | **QC** Quick Clamp - Avail 2" - 14"Ø

Ring | Rings are loose < 32" diameter  
 | Rings are fixed 32" diameter and larger

Note | **Project Specifications:** Standard Design & Materials, -6" w.c.  
 | **Ships Standard:** Aluminum claw clamps and SS-Viton seal ring

PureGuard II is FM Approved for use without sprinklers, subject to the conditions of approval as a Fume and/or Exhaust Duct, when installed in accordance with instructions shown in the current edition of the FM Approval Guide.

**PureGuard II Standards**



Fitting: **KF Flange to Dual Guard Adapter**

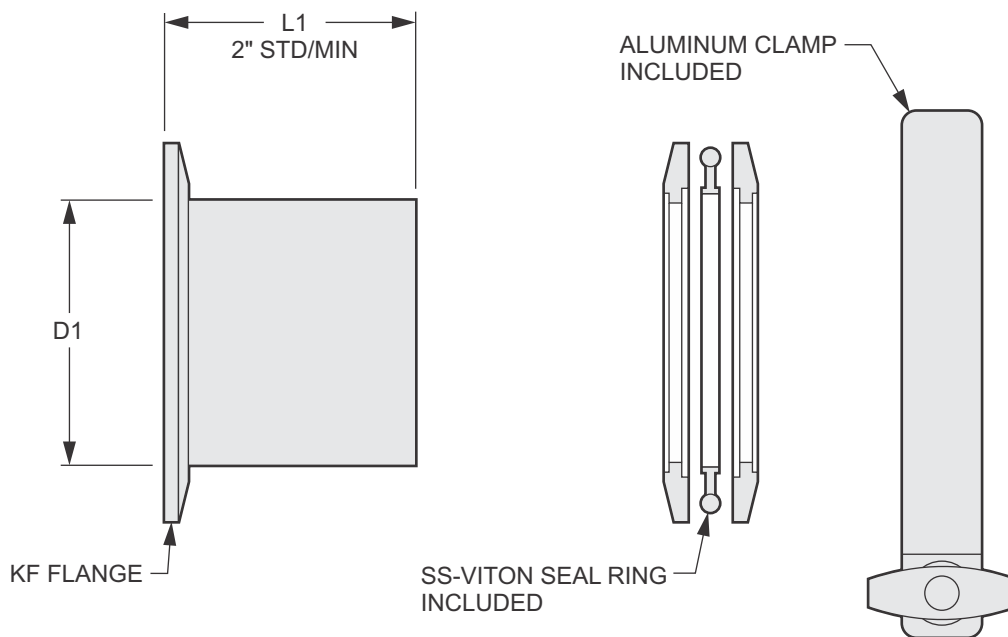
Ring Type | **SS** Stainless Steel Rings - Avail 4" - 120"Ø  
 | **BI** Black Iron (coated) Rings - Avail 4" - 48"Ø  
 | **QC** Quick Clamp - Avail 2" - 14"Ø

Ring | Rings are loose < 32" diameter  
 | Rings are fixed 32" diameter and larger

Note | **Project Specifications:** Standard Design & Materials, -6" w.c.  
 | **Adapter Specifications:** Adapter sizes available for 2" diameter duct

**PureGuard II Standards**

PureGuard II is FM Approved for use without sprinklers, subject to the conditions of approval as a Fume and/or Exhaust Duct, when installed in accordance with instructions shown in the current edition of the FM Approval Guide.



Fitting: **4" - 14" Butterfly Damper**

Ring Type | **SS** Stainless Steel Rings - Avail 4" - 120"Ø  
**BI** Black Iron (coated) Rings - Avail 4" - 48"Ø  
**QC** Quick Clamp - Avail 2" - 14"Ø

Ring | Rings are loose < 32" diameter  
Rings are fixed 32" diameter and larger

Note | **Project Specifications:** Standard Design & Materials, -6" w.c.  
**Ships Standard:** Loose A-36 rings <=20", welded rings above, with SS rings >=50".  
Also ships with one plated bolt set and gasket. Thicknesses shown are minimum for +/-10" w.c. PureGuard LLC reserves the right to adjust thicknesses.

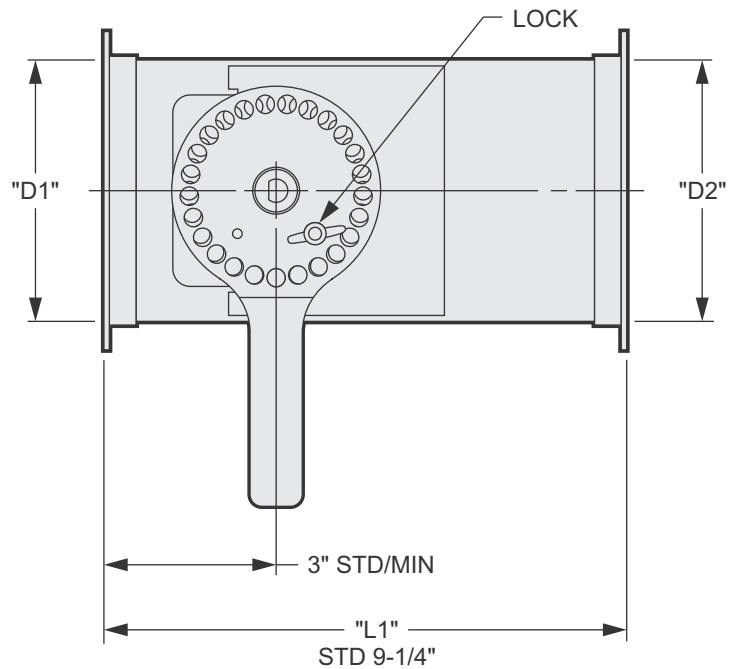
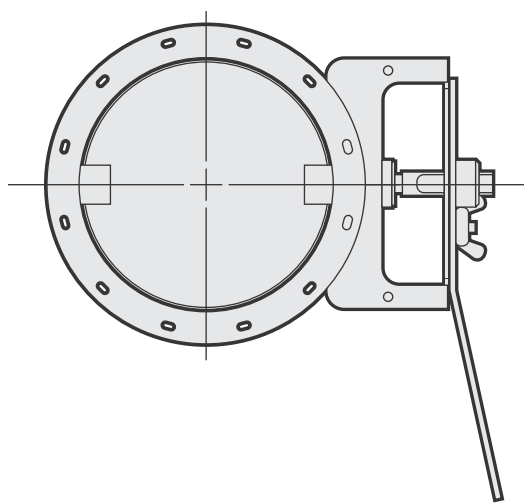
**PureGuard II Standards**

PureGuard II is FM Approved for use without sprinklers, subject to the conditions of approval as a Fume and/or Exhaust Duct, when installed in accordance with instructions shown in the current edition of the FM Approval Guide.



**Options:**

- Stainless bolt set
- Stainless flange rings
- Quick Clamps 2"-14"Ø
- Actuation ( electric / pneumatic )
- Blade seals
- Blade stops
- Micro adjustable gear actuator (2"-20")



**PureGuard LLC**  
1010 South 65th Ave., No. 100, Phoenix, AZ 85043  
T 623.478.1800 / F 623.478.1860  
Email: info@pureguard2.com

This document contains confidential and proprietary information intended solely for the use of individuals or entities for reference only. The information contained herein shall not be disclosed, copied, or distributed other than for the intended purpose without express written consent of PureGuard LLC.



Fitting: **4" - 14" Butterfly Damper with Blade Seal**

Ring Type | **SS** Stainless Steel Rings - Avail 4" - 120"Ø  
**BI** Black Iron (coated) Rings - Avail 4" - 48"Ø  
**QC** Quick Clamp - Avail 2" - 14"Ø

Ring | Rings are loose < 32" diameter  
Rings are fixed 32" diameter and larger

Note | **Project Specifications:** Standard Design & Materials, -6" w.c.  
**Ships Standard:** Loose A-36 rings <math>\leq 20''</math>, welded rings above, with SS rings <math>>= 50''</math>.  
Also ships with one plated bolt set and gasket. Thicknesses shown are minimum for +/-10" w.c. PureGuard LLC reserves the right to adjust thicknesses.

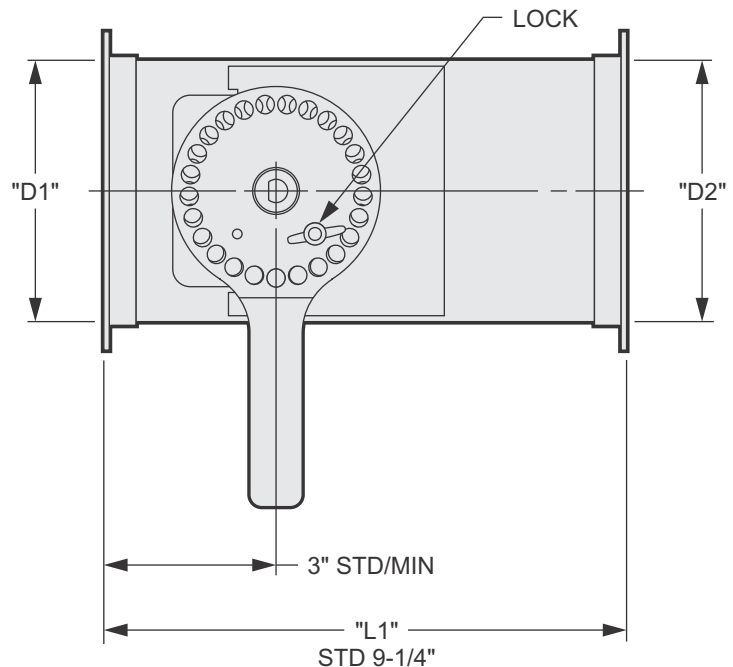
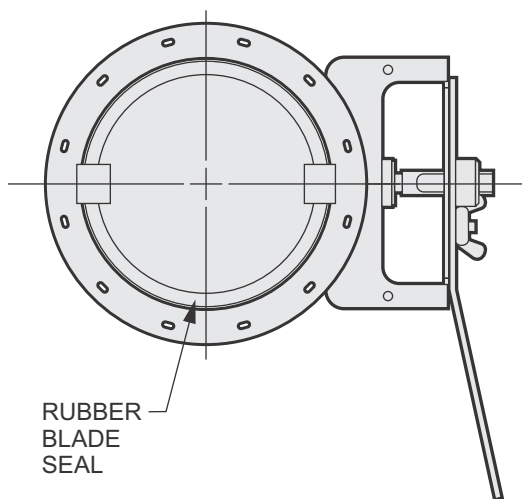
**PureGuard II Standards**

PureGuard II is FM Approved for use without sprinklers, subject to the conditions of approval as a Fume and/or Exhaust Duct, when installed in accordance with instructions shown in the current edition of the FM Approval Guide.



**Options:**

- Stainless bolt set
- Stainless flange rings
- Quick Clamps 2"-14"Ø
- Actuation ( electric / pneumatic )
- Blade seals
- Blade stops
- Micro adjustable gear actuator (2"-20")



**PureGuard LLC**  
1010 South 65th Ave., No. 100, Phoenix, AZ 85043  
T 623.478.1800 / F 623.478.1860  
Email: info@pureguard2.com

This document contains confidential and proprietary information intended solely for the use of individuals or entities for reference only. The information contained herein shall not be disclosed, copied, or distributed other than for the intended purpose without express written consent of PureGuard LLC.

Fitting: **16" - 34" Butterfly Damper**

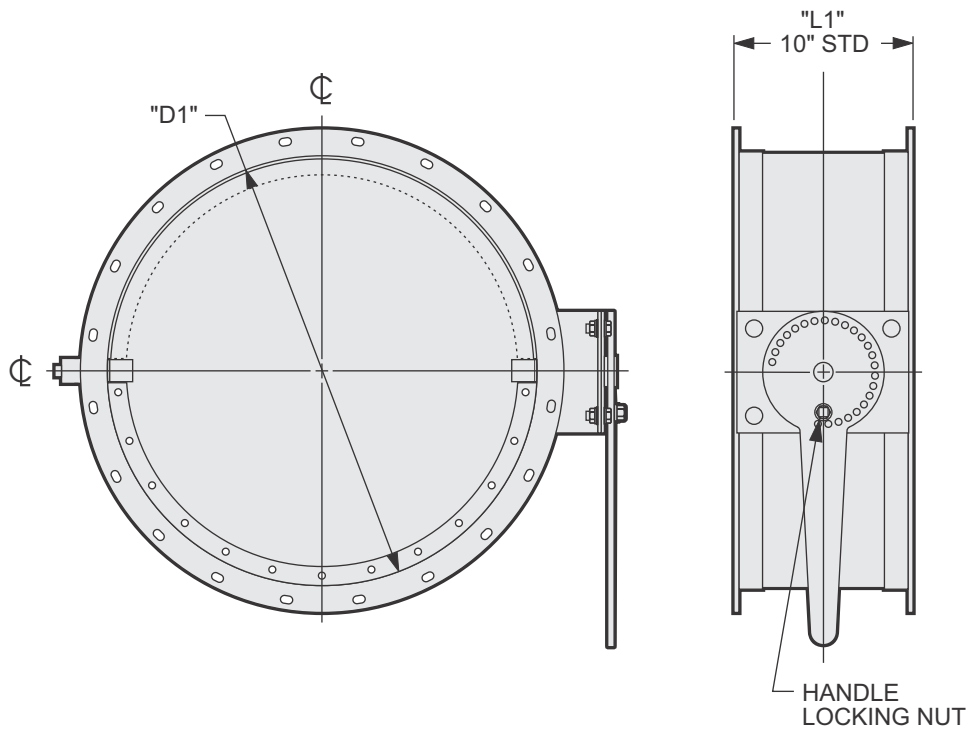
Ring Type | **SS** Stainless Steel Rings - Avail 4" - 120"Ø  
**BI** Black Iron (coated) Rings - Avail 4" - 48"Ø  
**QC** Quick Clamp - Avail 2" - 14"Ø

Ring | Rings are loose < 32" diameter  
Rings are fixed 32" diameter and larger

Note | **Project Specifications:** Standard Design & Materials, -6" w.c.  
**Damper Specifications:** Damper only available with welded stainless steel flange rings.  
Damper body and blade manufactured with Halar coated SS.  
Optionally available with a manual handwheel operator, electric or pneumatic actuator.  
**Ships Standard:** A-36 steel rings, SS rings > 48" diameter, one plated bolt set and gasket

PureGuard II is FM Approved for use without sprinklers, subject to the conditions of approval as a Fume and/or Exhaust Duct, when installed in accordance with instructions shown in the current edition of the FM Approval Guide.

**PureGuard II Standards**



Fitting: **36" - 48" Butterfly Damper**

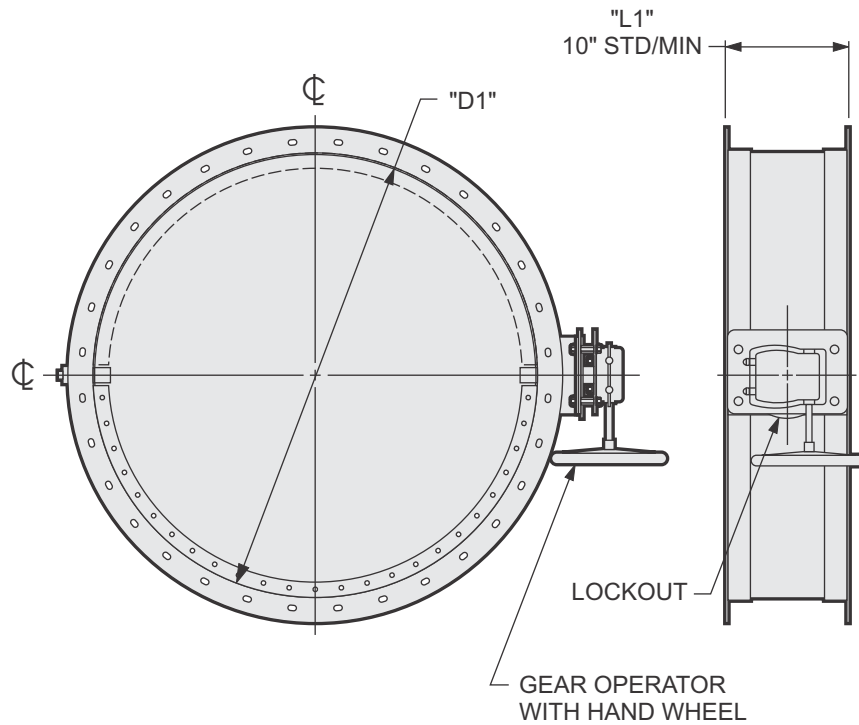
Ring Type | **SS** Stainless Steel Rings - Avail 4" - 120"Ø  
**BI** Black Iron (coated) Rings - Avail 4" - 48"Ø  
**QC** Quick Clamp - Avail 2" - 14"Ø

Ring | Rings are loose < 32" diameter  
Rings are fixed 32" diameter and larger

Note | **Project Specifications:** Standard Design & Materials, -6" w.c.  
**Damper Specifications:** Damper only available with welded stainless steel flange rings.  
Damper body and blade manufactured with Halar coated SS.  
Optionally available with an electric or pneumatic actuator.  
**Ships Standard:** A-36 steel rings, SS rings > 48" diameter, one plated bolt set and gasket

PureGuard II is FM Approved for use without sprinklers, subject to the conditions of approval as a Fume and/or Exhaust Duct, when installed in accordance with instructions shown in the current edition of the FM Approval Guide.

**PureGuard II Standards**



**PureGuard LLC**  
1010 South 65th Ave., No. 100, Phoenix, AZ 85043  
T 623.478.1800 / F 623.478.1860  
Email: info@pureguard2.com

This document contains confidential and proprietary information intended solely for the use of individuals or entities for reference only. The information contained herein shall not be disclosed, copied, or distributed other than for the intended purpose without express written consent of PureGuard LLC.

Fitting: **> 48" Butterfly Damper**

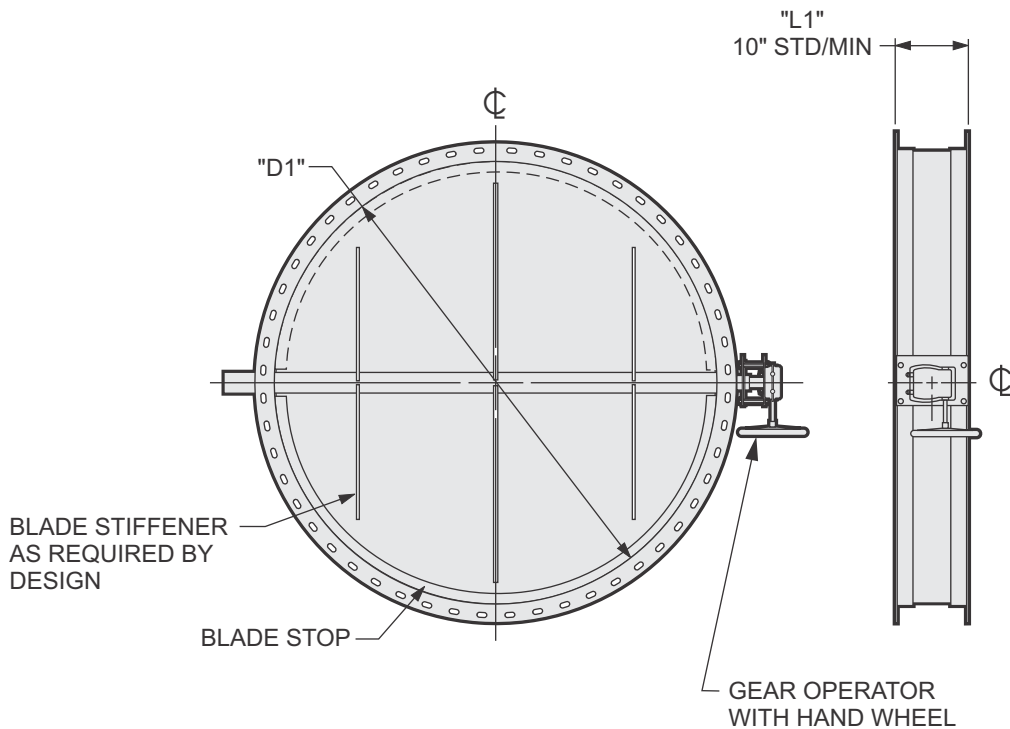
Ring Type | **SS** Stainless Steel Rings - Avail 4" - 120"Ø  
 | **BI** Black Iron (coated) Rings - Avail 4" - 48"Ø  
 | **QC** Quick Clamp - Avail 2" - 14"Ø

Ring | Rings are loose < 32" diameter  
 | Rings are fixed 32" diameter and larger

Note | **Project Specifications:** Standard Design & Materials, -6" w.c.  
 | **Damper Specifications:** Damper only available with welded stainless steel flange rings.  
 | Damper body and blade manufactured with Halar coated SS.  
 | Optionally available with an electric or pneumatic actuator.  
 | **Ships Standard:** A-36 steel rings, SS rings > 48" diameter, one plated bolt set and gasket

PureGuard II is FM Approved for use without sprinklers, subject to the conditions of approval as a Fume and/or Exhaust Duct, when installed in accordance with instructions shown in the current edition of the FM Approval Guide.

**PureGuard II Standards**



**PureGuard LLC**  
1010 South 65th Ave., No. 100, Phoenix, AZ 85043  
T 623.478.1800 / F 623.478.1860  
Email: info@pureguard2.com

This document contains confidential and proprietary information intended solely for the use of individuals or entities for reference only. The information contained herein shall not be disclosed, copied, or distributed other than for the intended purpose without express written consent of PureGuard LLC.

Fitting: **4" - 12" Wafer Damper**

Ring Type | **SS** Stainless Steel Rings - Avail 4" - 120"Ø  
**BI** Black Iron (coated) Rings - Avail 4" - 48"Ø  
**QC** Quick Clamp - Avail 2" - 14"Ø

Ring | Rings are loose < 32" diameter  
Rings are fixed 32" diameter and larger

Note | **Project Specifications:** Standard Design & Materials, -6" w.c. Body drilled for Class 150 flanges on 2" and 3" diameter, and standard Pure Guard bolt pattern (SS-200) for > 3". Shafts are sealed with Viton O-rings. Designed to bolt between mating flanges. Integral blade stop and all fluoropolymer wetted surfaces.

**Ships Standard:** Assembled for ease of installation

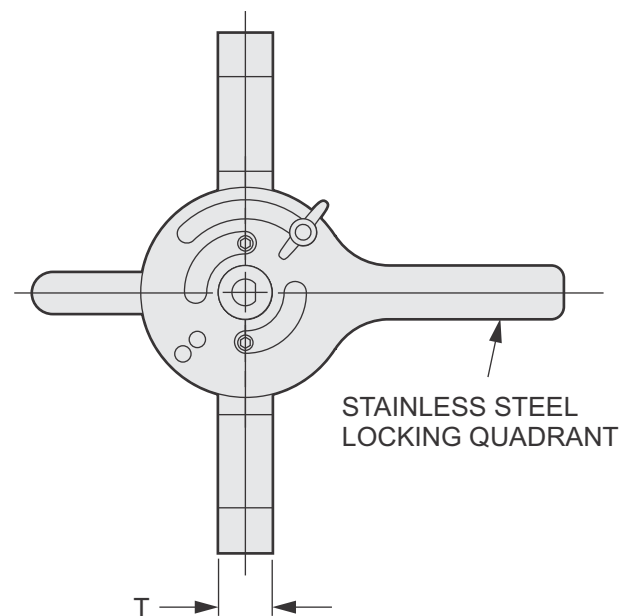
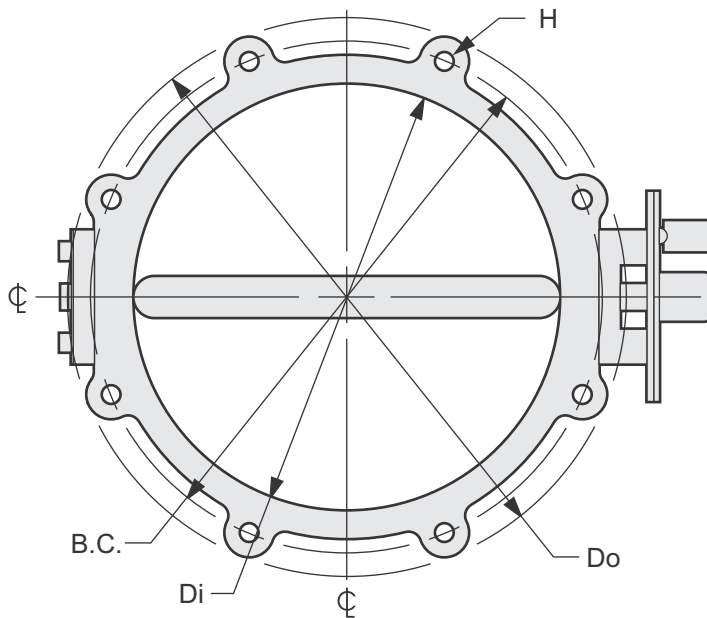
**PureGuard II Standards**

PureGuard II is FM Approved for use without sprinklers, subject to the conditions of approval as a Fume and/or Exhaust Duct, when installed in accordance with instructions shown in the current edition of the FM Approval Guide.



**Options:**

- Alternative drilling



Fitting: **4" - 36" Horizontal Run Slide Gate Damper**

Ring Type | **SS** Stainless Steel Rings - Avail 4" - 120"Ø  
**BI** Black Iron (coated) Rings - Avail 4" - 48"Ø  
**QC** Quick Clamp - Avail 2" - 14"Ø

Ring | Rings are loose < 32" diameter  
Rings are fixed 32" diameter and larger

Note | **Project Specifications:** Standard Design & Materials, -6" w.c. Lengths over 120" may ship in sections for field bolt-up  
**Ships standard:** Loose A-36 rings <=20", welded rings above, with SS rings >=50". Also ships with one plated bolt set and gasket. Thicknesses shown are minimum for +/-10" w.c. PureGuard LLC reserves the right to adjust thicknesses

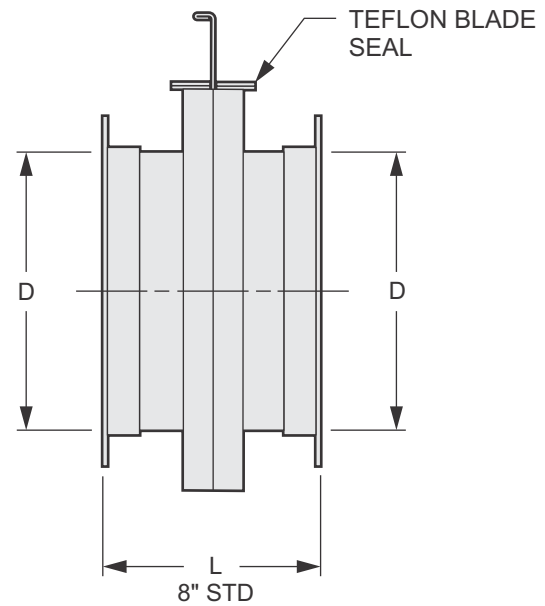
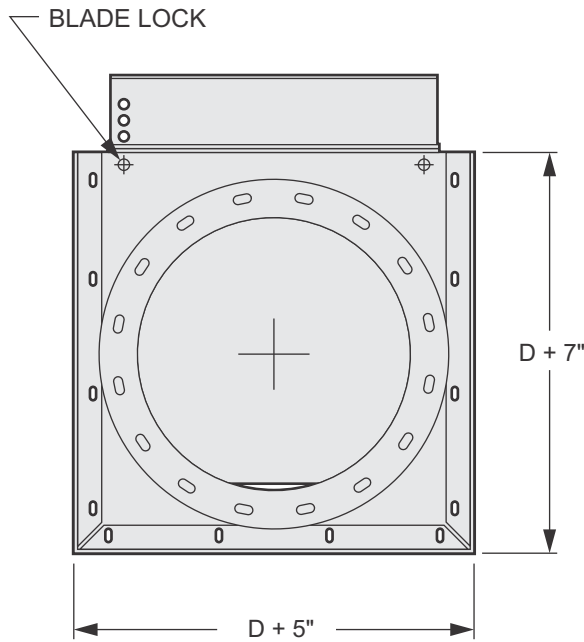
**PureGuard II Standards**

PureGuard II is FM Approved for use without sprinklers, subject to the conditions of approval as a Fume and/or Exhaust Duct, when installed in accordance with instructions shown in the current edition of the FM Approval Guide.



**Options:**

- Stainless bolt set
- Quick Clamps 2"-14"Ø
- Actuation
- Alternative flange arrangements



**PureGuard LLC**  
1010 South 65th Ave., No. 100, Phoenix, AZ 85043  
T 623.478.1800 / F 623.478.1860  
Email: info@pureguard2.com

This document contains confidential and proprietary information intended solely for the use of individuals or entities for reference only. The information contained herein shall not be disclosed, copied, or distributed other than for the intended purpose without express written consent of PureGuard LLC.

Fitting: **4" - 36" Vertical Run Slide Gate Damper**

Ring Type | **SS** Stainless Steel Rings - Avail 4" - 120"Ø  
 | **BI** Black Iron (coated) Rings - Avail 4" - 48"Ø  
 | **QC** Quick Clamp - Avail 2" - 14"Ø

Ring | Rings are loose < 32" diameter  
 | Rings are fixed 32" diameter and larger

Note | **Project Specifications:** Standard Design & Materials, -6" w.c.  
 | **Ships Standard:** A-36 steel rings, SS rings > 48" diameter, Teflon seals,  
 | one plated bolt set and gasket

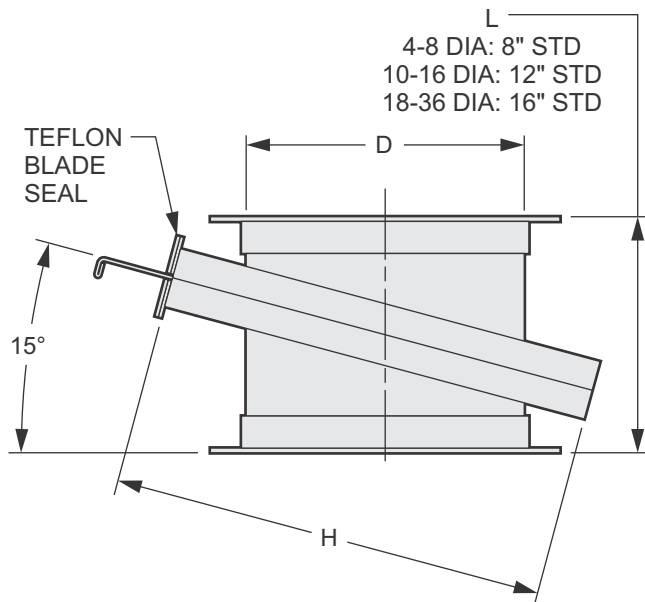
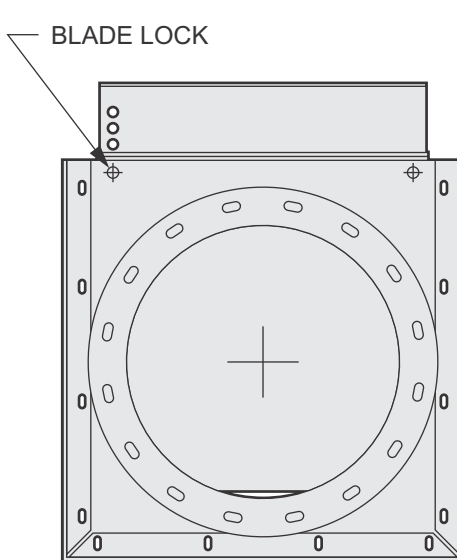
**PureGuard II Standards**

PureGuard II is FM Approved for use without sprinklers, subject to the conditions of approval as a Fume and/or Exhaust Duct, when installed in accordance with instructions shown in the current edition of the FM Approval Guide.



**Options:**

- Stainless bolt set
- Quick Clamps 2"-14"Ø
- Actuation
- Alternative flange arrangements



**PureGuard LLC**  
 1010 South 65th Ave., No. 100, Phoenix, AZ 85043  
 T 623.478.1800 / F 623.478.1860  
 Email: info@pureguard2.com

This document contains confidential and proprietary information intended solely for the use of individuals or entities for reference only. The information contained herein shall not be disclosed, copied, or distributed other than for the intended purpose without express written consent of PureGuard LLC.

Fitting: **> 36" Horizontal Run Dual Slide Gate Damper**

Ring Type | **SS** Stainless Steel Rings - Avail 4" - 120"Ø  
**BI** Black Iron (coated) Rings - Avail 4" - 48"Ø  
**QC** Quick Clamp - Avail 2" - 14"Ø

Ring | Rings are loose < 32" diameter  
Rings are fixed 32" diameter and larger

Note | **Project Specifications:** Standard Design & Materials, -6" w.c.  
**Ships Standard:** A-36 steel rings, SS rings > 48" diameter, Teflon seals, one plated bolt set and gasket

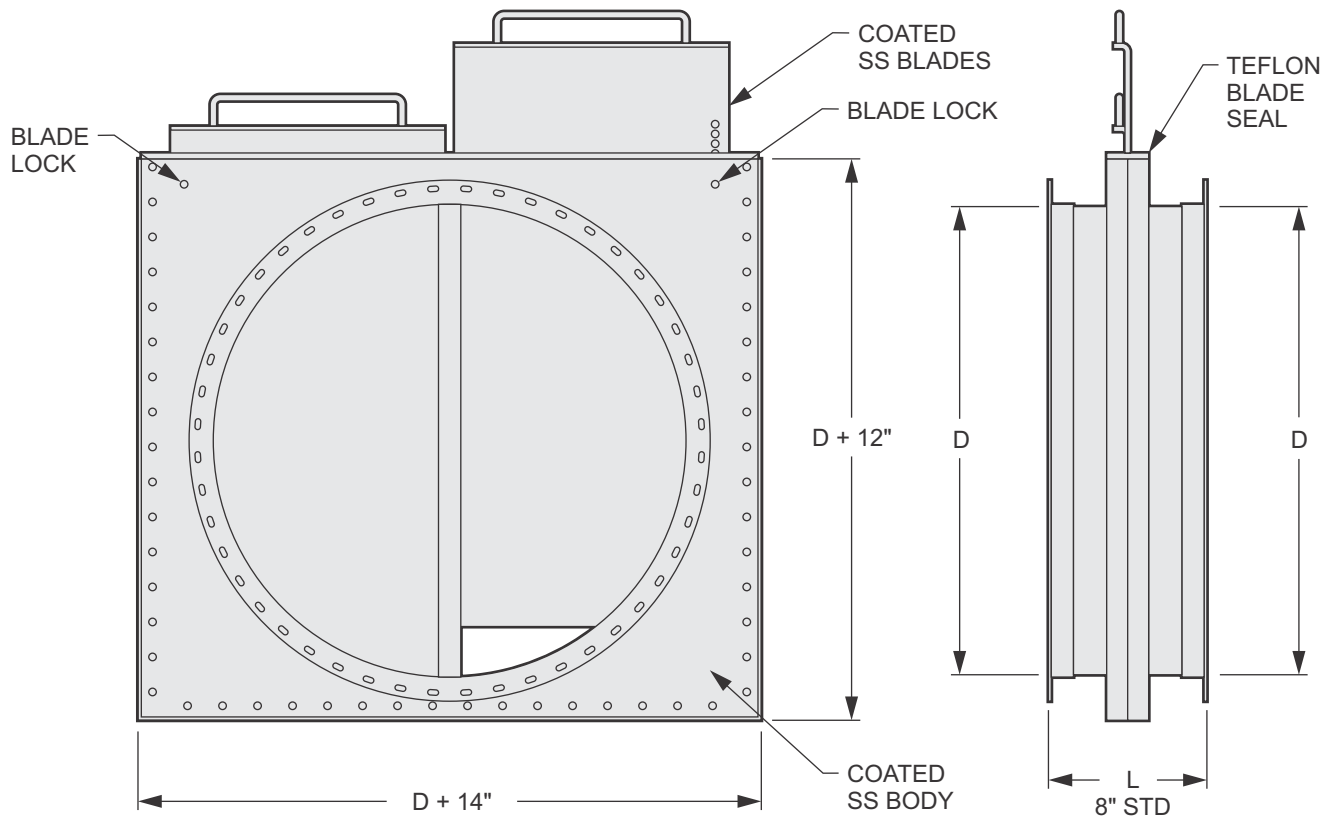
PureGuard II is FM Approved for use without sprinklers, subject to the conditions of approval as a Fume and/or Exhaust Duct, when installed in accordance with instructions shown in the current edition of the FM Approval Guide.

**PureGuard II Standards**



**Options:**

- Stainless bolt set
- Actuation
- Alternative flange arrangements



**PureGuard LLC**  
1010 South 65th Ave., No. 100, Phoenix, AZ 85043  
T 623.478.1800 / F 623.478.1860  
Email: info@pureguard2.com

This document contains confidential and proprietary information intended solely for the use of individuals or entities for reference only. The information contained herein shall not be disclosed, copied, or distributed other than for the intended purpose without express written consent of PureGuard LLC.



Fitting: **> 36" Vertical Run Dual Slide Gate Damper**

Ring Type | **SS** Stainless Steel Rings - Avail 4" - 120"Ø  
 | **BI** Black Iron (coated) Rings - Avail 4" - 48"Ø  
 | **QC** Quick Clamp - Avail 2" - 14"Ø

Ring | Rings are loose < 32" diameter  
 | Rings are fixed 32" diameter and larger

Note | **Project Specifications:** Standard Design & Materials, -6" w.c.  
 | **Ships Standard:** A-36 steel rings, SS rings > 48" diameter, Teflon seals, one plated bolt set and gasket

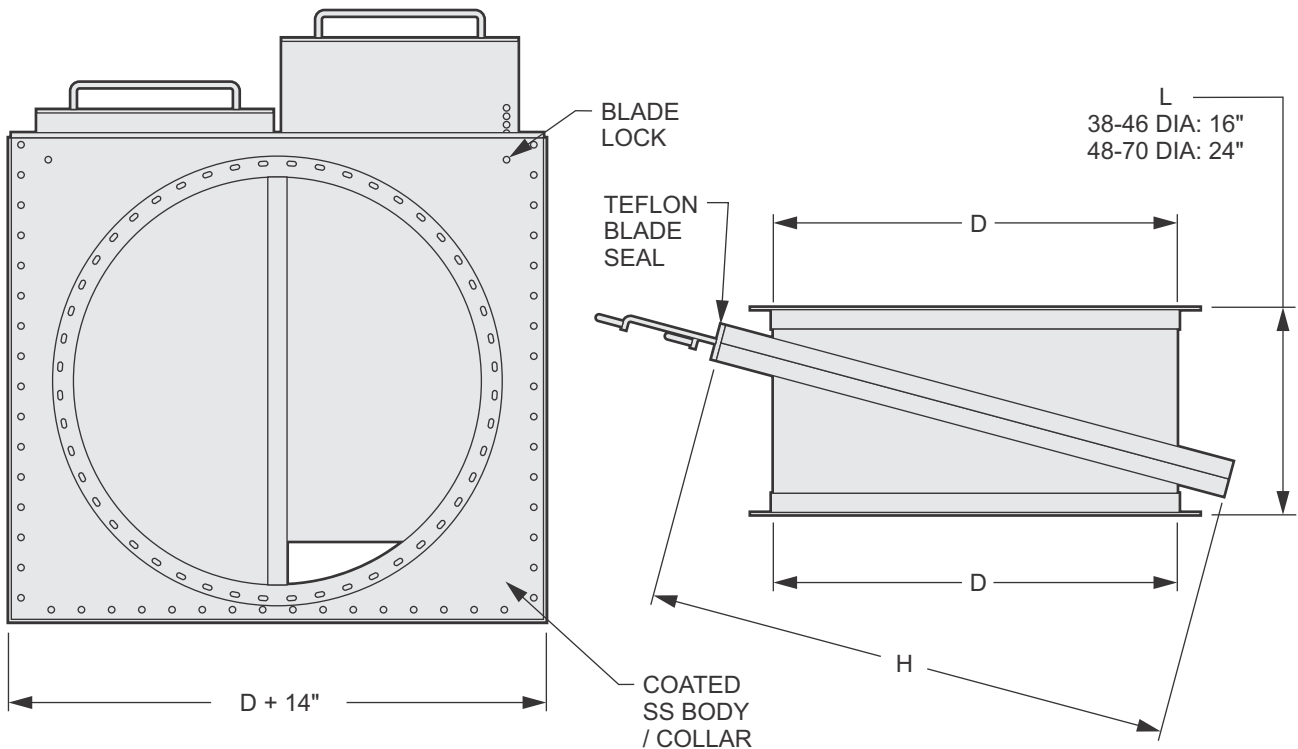
PureGuard II is FM Approved for use without sprinklers, subject to the conditions of approval as a Fume and/or Exhaust Duct, when installed in accordance with instructions shown in the current edition of the FM Approval Guide.

**PureGuard II Standards**



**Options:**

- Stainless bolt set
- Quick Clamps 2"-14"Ø
- Actuation
- Alternative flange arrangements



**PureGuard LLC**  
 1010 South 65th Ave., No. 100, Phoenix, AZ 85043  
 T 623.478.1800 / F 623.478.1860  
 Email: info@pureguard2.com

This document contains confidential and proprietary information intended solely for the use of individuals or entities for reference only. The information contained herein shall not be disclosed, copied, or distributed other than for the intended purpose without express written consent of PureGuard LLC.

Fitting: **Tools & Supplies**

- Ring Type | **SS** Stainless Steel Rings - Avail 4" - 120"Ø  
**BI** Black Iron (coated) Rings - Avail 4" - 48"Ø  
**QC** Quick Clamp - Avail 2" - 14"Ø
- Ring | Rings are loose < 32" diameter  
Rings are fixed 32" diameter and larger

**PureGuard II Standards**

PureGuard II is FM Approved for use without sprinklers, subject to the conditions of approval as a Fume and/or Exhaust Duct, when installed in accordance with instructions shown in the current edition of the FM Approval Guide.



PART NUMBER	PART DESCRIPTION
PG - ST	D.E. Sterns Spark Tester
PG - GREENLEE	Hydraulic Kit 7306SB for 1/2" - 2" Nipple
PG - HAG	Steinel 120V Heat Gun
PG - FRK	PGII Repair Kit
200 - FLARE TOOL	Pexto Model 622LR Hand Flanger
200 - PW	Custom Rolls for Pexto Hand Flanger
200 - TOOL	Ridgid 3-S Heavy Duty Pipe Cutter
202 - PW	Custom Pressing Wheel Adapter
QC - 8R	8 inch QC Pliers
100 - 2CG	Saw Guide for Cutting 2" Duct
100 - 3CG	Saw Guide for Cutting 3" Duct

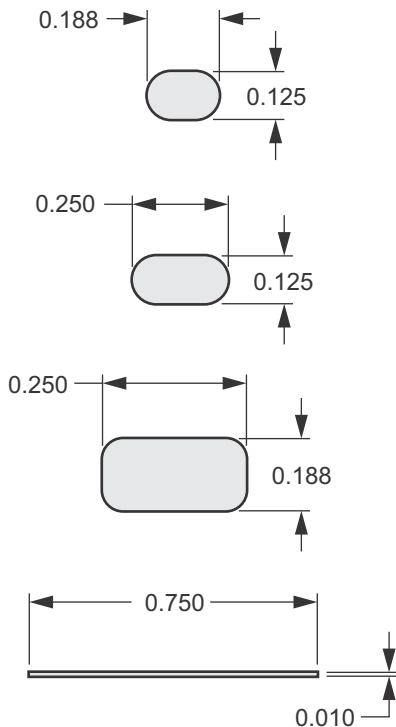
Fitting: **Gortex PTFE Gasket**

Ring Type | **SS** Stainless Steel Rings - Avail 4" - 120"Ø  
**BI** Black Iron (coated) Rings - Avail 4" - 48"Ø  
**QC** Quick Clamp - Avail 2" - 14"Ø

Ring | Rings are loose < 32" diameter  
Rings are fixed 32" diameter and larger

**PureGuard II Standards**

PureGuard II is FM Approved for use without sprinklers, subject to the conditions of approval as a Fume and/or Exhaust Duct, when installed in accordance with instructions shown in the current edition of the FM Approval Guide.



Gasket type #1	
3/16" x 1/8" Gasket	Used on: 4" - 10" dia duct
Available roll sizes:	100 ft

Gasket type #2	
1/4" x 1/8" Gasket	Used on: 12" - 24" dia duct
Available roll sizes:	100 ft

Gasket type #3	
1/4" x 3/16" Gasket	Used on: 26" - 120" dia duct
Available roll sizes:	100 ft

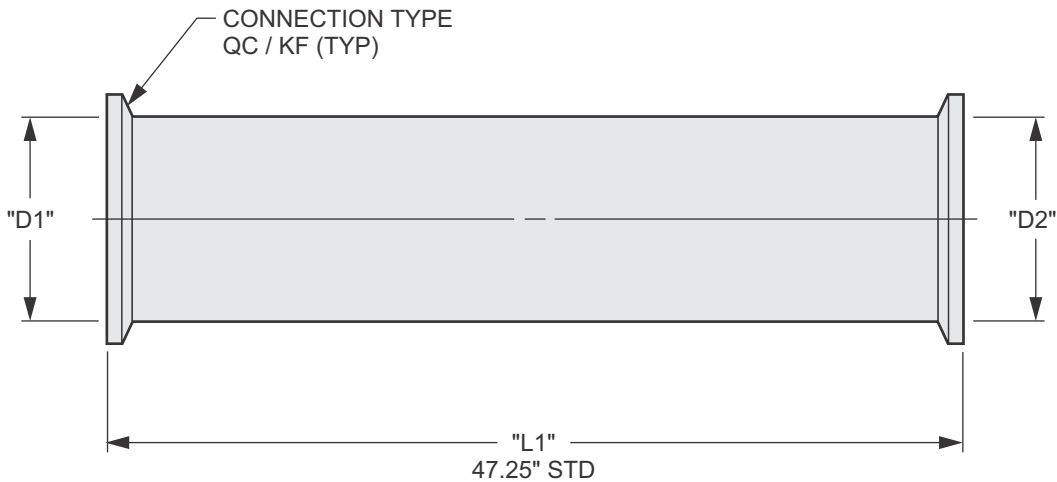
Gasket type #4	
3/4" x 0.010" Gasket	Used on: 2" - 14" dia QC duct
Available roll sizes:	300 ft

Fitting: **2" & 3" Straight Duct**

- Ring Type | **QC** Quick Clamp - Avail 2" - 3"Ø
- Ring | Rings are loose < 32" diameter  
Rings are fixed 32" diameter and larger

**PureGuard II Standards**

PureGuard II is FM Approved for use without sprinklers, subject to the conditions of approval as a Fume and/or Exhaust Duct, when installed in accordance with instructions shown in the current edition of the FM Approval Guide.



**PureGuard LLC**  
1010 South 65th Ave., No. 100, Phoenix, AZ 85043  
T 623.478.1800 / F 623.478.1860  
Email: info@pureguard2.com

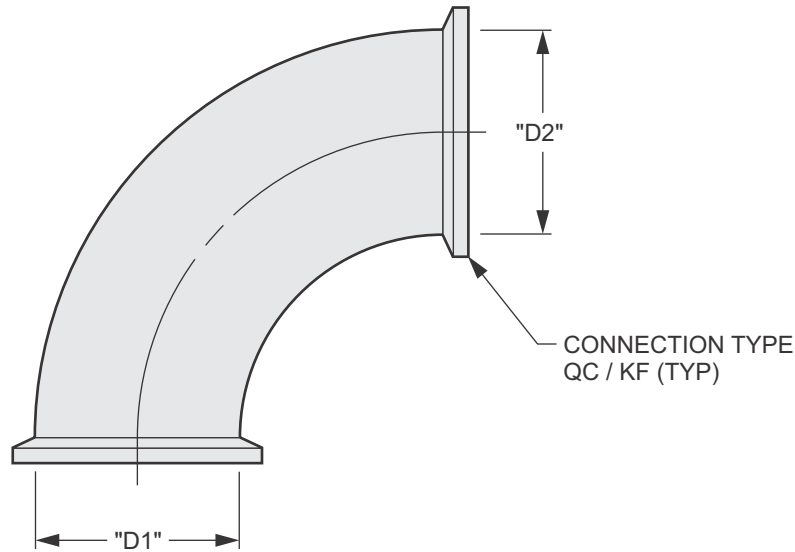
This document contains confidential and proprietary information intended solely for the use of individuals or entities for reference only. The information contained herein shall not be disclosed, copied, or distributed other than for the intended purpose without express written consent of PureGuard LLC.

Fitting: **2" & 3" Long Radius 90° Sweep Elbow**

- Ring Type | **QC** Quick Clamp - Avail 2" - 3"Ø
- Ring | Rings are loose < 32" diameter  
Rings are fixed 32" diameter and larger

PureGuard II is FM Approved for use without sprinklers, subject to the conditions of approval as a Fume and/or Exhaust Duct, when installed in accordance with instructions shown in the current edition of the FM Approval Guide.

**PureGuard II Standards**



**ELBOW SPECIFICATIONS:** Standard face to centerline dimensions for long radius elbows are 1.5 x diameter.

**PureGuard LLC**  
1010 South 65th Ave., No. 100, Phoenix, AZ 85043  
T 623.478.1800 / F 623.478.1860  
Email: info@pureguard2.com

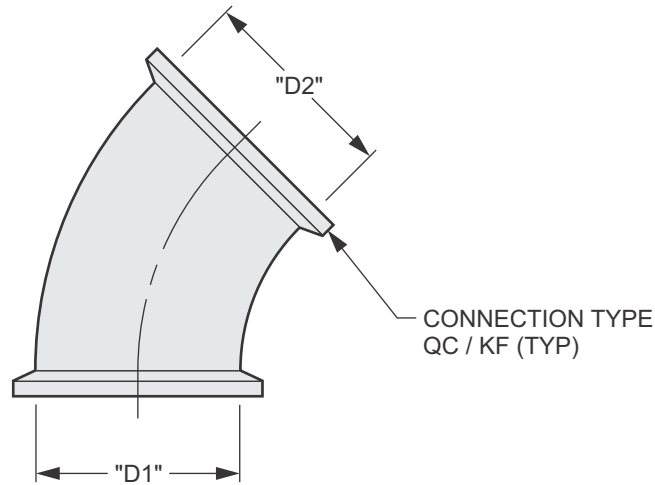
This document contains confidential and proprietary information intended solely for the use of individuals or entities for reference only. The information contained herein shall not be disclosed, copied, or distributed other than for the intended purpose without express written consent of PureGuard LLC.

Fitting: **2" & 3" Long Radius 45° Sweep Elbow**

- Ring Type | **QC** Quick Clamp - Avail 2" - 3"Ø
- Ring | Rings are loose < 32" diameter  
Rings are fixed 32" diameter and larger

PureGuard II is FM Approved for use without sprinklers, subject to the conditions of approval as a Fume and/or Exhaust Duct, when installed in accordance with instructions shown in the current edition of the FM Approval Guide.

**PureGuard II Standards**



**ELBOW SPECIFICATIONS:** Standard face to centerline dimensions for long radius elbows are 1.5 x diameter.

**PureGuard LLC**  
1010 South 65th Ave., No. 100, Phoenix, AZ 85043  
T 623.478.1800 / F 623.478.1860  
Email: info@pureguard2.com

This document contains confidential and proprietary information intended solely for the use of individuals or entities for reference only. The information contained herein shall not be disclosed, copied, or distributed other than for the intended purpose without express written consent of PureGuard LLC.

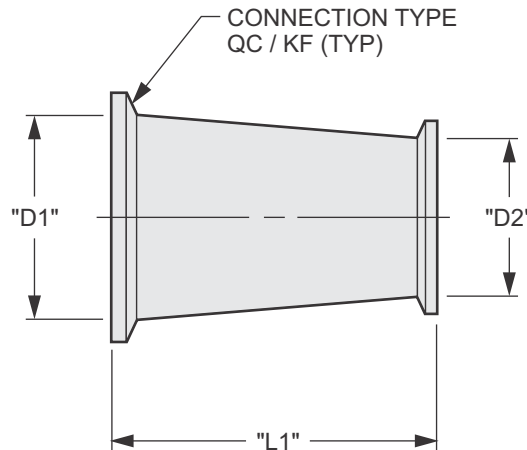
Fitting: **2" & 3" Standard Reducer**

Ring Type | **QC** Quick Clamp - Avail 2" - 3"Ø

Ring | Rings are loose < 32" diameter  
Rings are fixed 32" diameter and larger

**PureGuard II Standards**

PureGuard II is FM Approved for use without sprinklers, subject to the conditions of approval as a Fume and/or Exhaust Duct, when installed in accordance with instructions shown in the current edition of the FM Approval Guide.



**REDUCER SPECIFICATIONS:** Custom lengths available.

STYLE #1	3" x 2" REDUCER	"L1" STANDARD 3-3/4"	"D1" STANDARD 3" O.D.	"D2" STANDARD 2" O.D.	STANDARD CONNECTIONS QUICK CLAMP
STYLE #2	4" x 2" REDUCER	"L1" STANDARD 3-3/4"	"D1" STANDARD 4" O.D.	"D2" STANDARD 2" O.D.	STANDARD CONNECTIONS QUICK CLAMP
STYLE #3	4" x 3" REDUCER	"L1" STANDARD 3-3/4"	"D1" STANDARD 4" O.D.	"D2" STANDARD 3" O.D.	STANDARD CONNECTIONS QUICK CLAMP

**PureGuard LLC**  
1010 South 65th Ave., No. 100, Phoenix, AZ 85043  
T 623.478.1800 / F 623.478.1860  
Email: info@pureguard2.com

This document contains confidential and proprietary information intended solely for the use of individuals or entities for reference only. The information contained herein shall not be disclosed, copied, or distributed other than for the intended purpose without express written consent of PureGuard LLC.

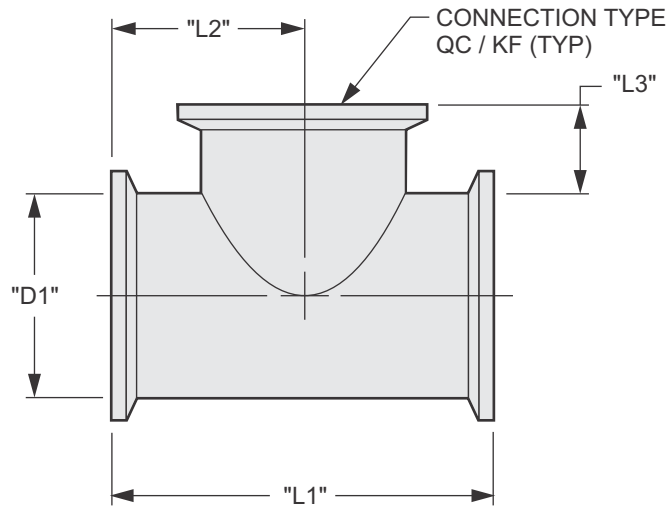
Fitting: **2" & 3" Standard Tee**

Ring Type | **QC** Quick Clamp - Avail 2" - 3"Ø

Ring | Rings are loose < 32" diameter  
Rings are fixed 32" diameter and larger

**PureGuard II Standards**

PureGuard II is FM Approved for use without sprinklers, subject to the conditions of approval as a Fume and/or Exhaust Duct, when installed in accordance with instructions shown in the current edition of the FM Approval Guide.



**TEE SPECIFICATIONS:** Custom lengths available.

STYLE #1	2" x 2" TEE	"L1" STANDARD 4-3/8"	"L2" STANDARD 2-11/16"	"D2" STANDARD 1-1/4"	STANDARD CONNECTIONS QUICK CLAMP
STYLE #2	3" x 2" TEE	"L1" STANDARD 5-3/8"	"L2" STANDARD 2-11/16"	"D2" STANDARD 1-1/4"	STANDARD CONNECTIONS QUICK CLAMP
STYLE #3	3" x 3" TEE	"L1" STANDARD 5-3/8"	"L2" STANDARD 2-11/16"	"D2" STANDARD 1-1/4"	STANDARD CONNECTIONS QUICK CLAMP

**PureGuard LLC**  
1010 South 65th Ave., No. 100, Phoenix, AZ 85043  
T 623.478.1800 / F 623.478.1860  
Email: info@pureguard2.com

This document contains confidential and proprietary information intended solely for the use of individuals or entities for reference only. The information contained herein shall not be disclosed, copied, or distributed other than for the intended purpose without express written consent of PureGuard LLC.

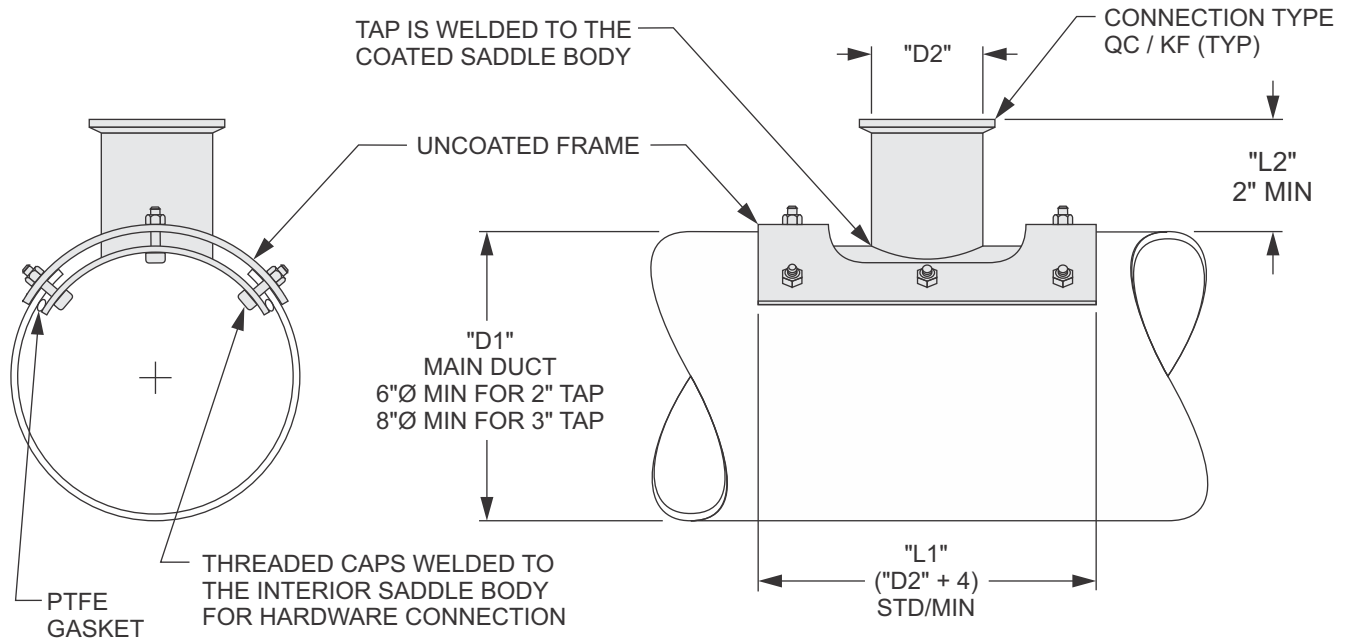


Fitting: **2" & 3" Field Installed Straight Saddle Tap**

- Ring Type | **QC** Quick Clamp - Avail 2" - 3"Ø
- Ring | Rings are loose < 32" diameter  
Rings are fixed 32" diameter and larger

**PureGuard II Standards**

PureGuard II is FM Approved for use without sprinklers, subject to the conditions of approval as a Fume and/or Exhaust Duct, when installed in accordance with instructions shown in the current edition of the FM Approval Guide.



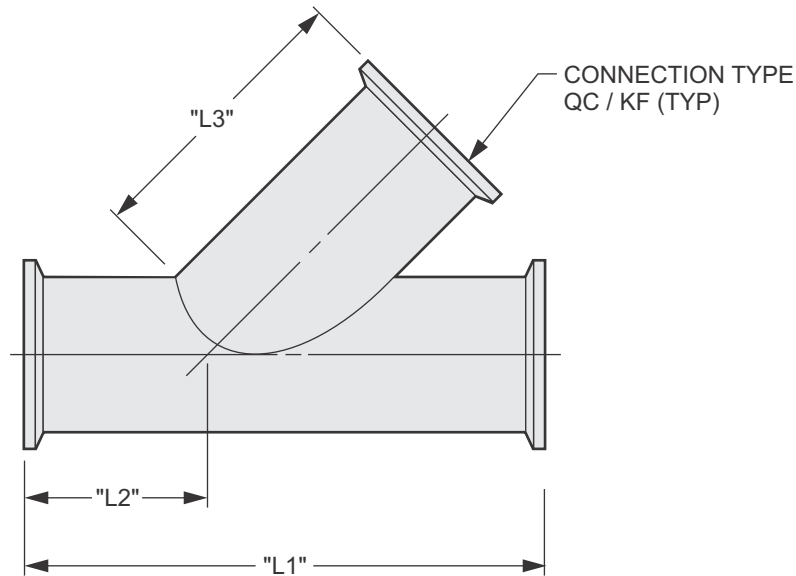
**SADDLE SPECIFICATIONS:** The main duct is to be sandwiched between the body and the frame.

Fitting: **2" & 3" Standard Lateral**

- Ring Type | **QC** Quick Clamp - Avail 2" - 3"Ø
- Ring | Rings are loose < 32" diameter  
Rings are fixed 32" diameter and larger

**PureGuard II Standards**

PureGuard II is FM Approved for use without sprinklers, subject to the conditions of approval as a Fume and/or Exhaust Duct, when installed in accordance with instructions shown in the current edition of the FM Approval Guide.



**LATERAL SPECIFICATIONS:** Custom lengths available.

STYLE #1	2" x 2" LATERAL	"L1" STANDARD 8-0"	"L2" STANDARD 2-0"	"L3" STANDARD 6-0"	STANDARD CONNECTIONS QUICK CLAMP
STYLE #2	3" x 3" LATERAL	"L1" STANDARD 8-0"	"L2" STANDARD 2-0"	"L3" STANDARD 6-0"	STANDARD CONNECTIONS QUICK CLAMP

**PureGuard LLC**  
1010 South 65th Ave., No. 100, Phoenix, AZ 85043  
T 623.478.1800 / F 623.478.1860  
Email: info@pureguard2.com

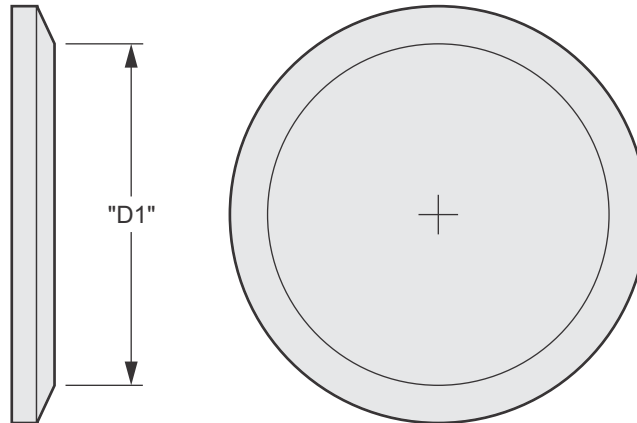
This document contains confidential and proprietary information intended solely for the use of individuals or entities for reference only. The information contained herein shall not be disclosed, copied, or distributed other than for the intended purpose without express written consent of PureGuard LLC.

Fitting: **2" & 3" End Cap**

- Ring Type | **QC** Quick Clamp - Avail 2" - 3"Ø
- Ring | Rings are loose < 32" diameter  
Rings are fixed 32" diameter and larger

**PureGuard II Standards**

PureGuard II is FM Approved for use without sprinklers, subject to the conditions of approval as a Fume and/or Exhaust Duct, when installed in accordance with instructions shown in the current edition of the FM Approval Guide.

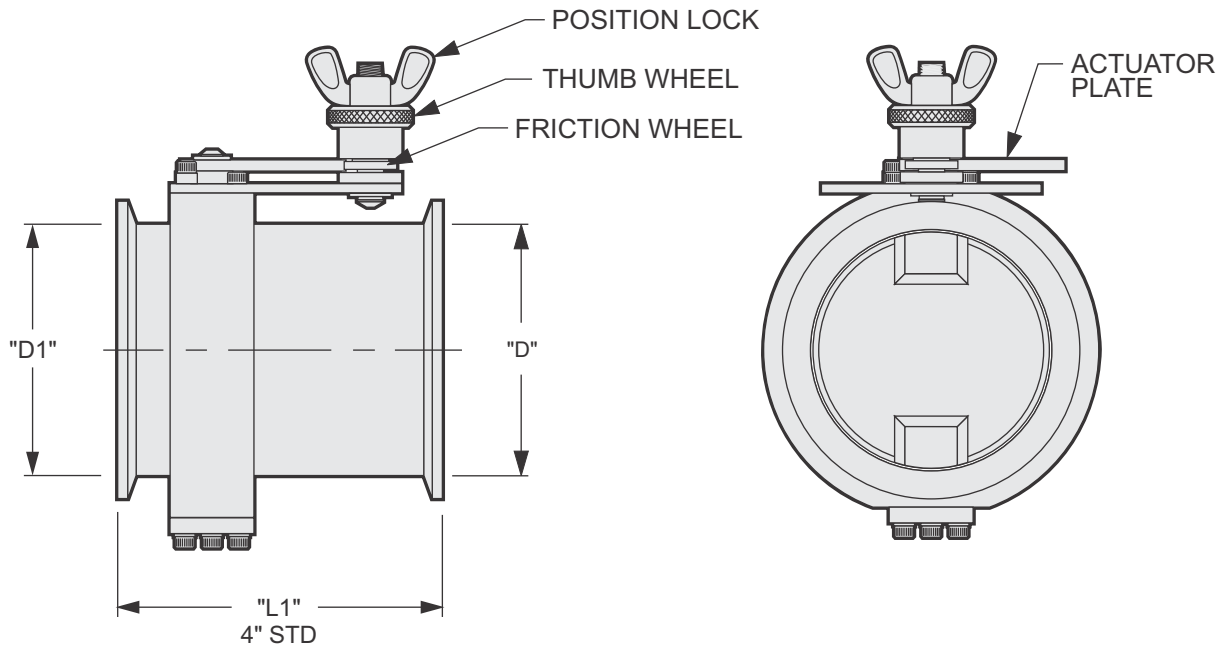


Fitting: **2" & 3" Butterfly Damper**

- Ring Type | **QC** Quick Clamp - Avail 2" - 3"Ø
- Ring | Rings are loose < 32" diameter  
Rings are fixed 32" diameter and larger

**PureGuard II Standards**

PureGuard II is FM Approved for use without sprinklers, subject to the conditions of approval as a Fume and/or Exhaust Duct, when installed in accordance with instructions shown in the current edition of the FM Approval Guide.



**PureGuard LLC**  
1010 South 65th Ave., No. 100, Phoenix, AZ 85043  
T 623.478.1800 / F 623.478.1860  
Email: info@pureguard2.com

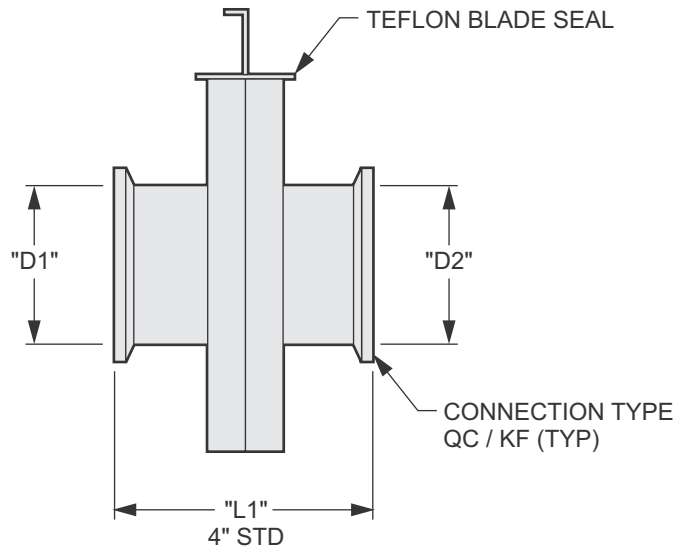
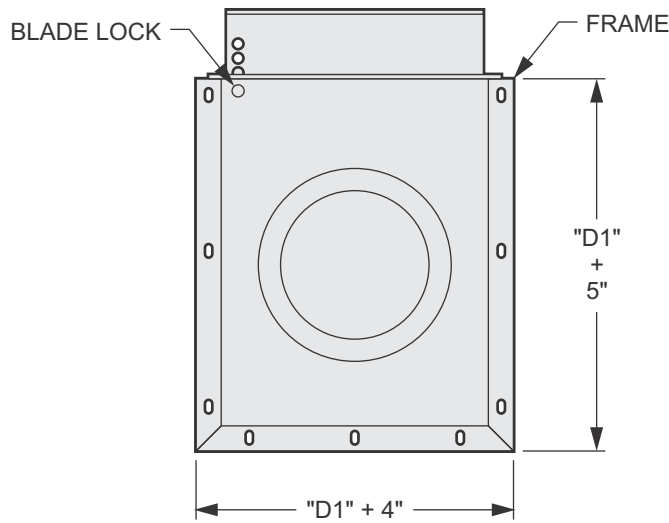
This document contains confidential and proprietary information intended solely for the use of individuals or entities for reference only. The information contained herein shall not be disclosed, copied, or distributed other than for the intended purpose without express written consent of PureGuard LLC.

Fitting: **2" & 3" Horiz. Run Slide Gate Damper**

- Ring Type | **QC** Quick Clamp - Avail 2" - 3"Ø
- Ring | Rings are loose < 32" diameter  
Rings are fixed 32" diameter and larger

**PureGuard II Standards**

PureGuard II is FM Approved for use without sprinklers, subject to the conditions of approval as a Fume and/or Exhaust Duct, when installed in accordance with instructions shown in the current edition of the FM Approval Guide.



**PureGuard LLC**  
1010 South 65th Ave., No. 100, Phoenix, AZ 85043  
T 623.478.1800 / F 623.478.1860  
Email: info@pureguard2.com

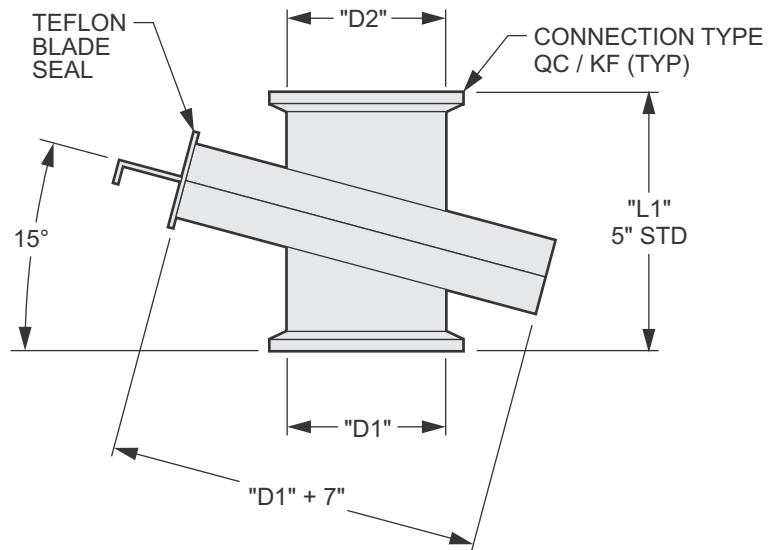
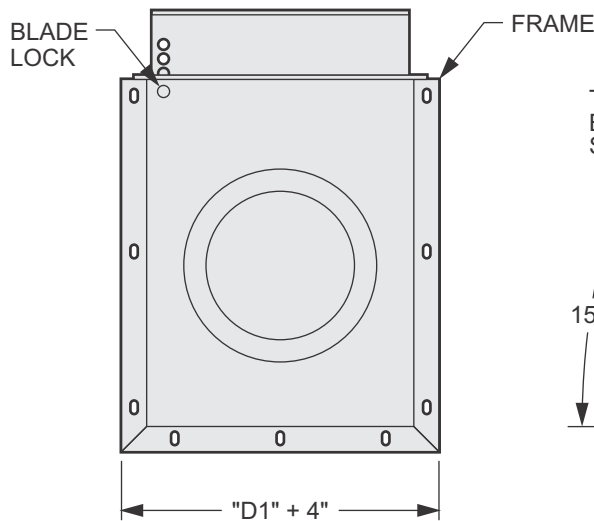
This document contains confidential and proprietary information intended solely for the use of individuals or entities for reference only. The information contained herein shall not be disclosed, copied, or distributed other than for the intended purpose without express written consent of PureGuard LLC.

Fitting: **2" & 3" Vertical Run Slide Gate Damper**

- Ring Type | **QC** Quick Clamp - Avail 2" - 3"Ø
- Ring | Rings are loose < 32" diameter  
Rings are fixed 32" diameter and larger

**PureGuard II Standards**

PureGuard II is FM Approved for use without sprinklers, subject to the conditions of approval as a Fume and/or Exhaust Duct, when installed in accordance with instructions shown in the current edition of the FM Approval Guide.



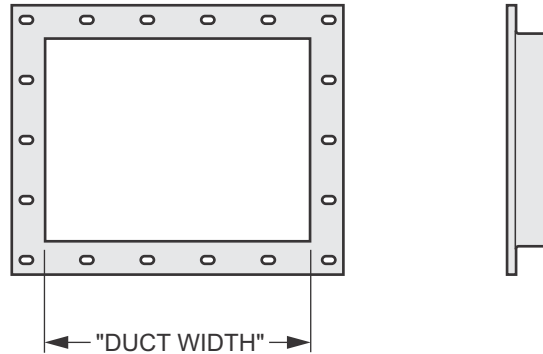
**PureGuard LLC**  
1010 South 65th Ave., No. 100, Phoenix, AZ 85043  
T 623.478.1800 / F 623.478.1860  
Email: info@pureguard2.com

This document contains confidential and proprietary information intended solely for the use of individuals or entities for reference only. The information contained herein shall not be disclosed, copied, or distributed other than for the intended purpose without express written consent of PureGuard LLC.

Fitting: **Rectangular Flange and Gauge Standards**

**PureGuard II Standards**

PureGuard II is FM Approved for use without sprinklers, subject to the conditions of approval as a Fume and/or Exhaust Duct, when installed in accordance with instructions shown in the current edition of the FM Approval Guide.



**FLANGE SPECIFICATIONS:** Interior stiffener (1" SCH40 pipe) required for duct width or height over 50.0". All duct width greater than 98" overall is subject to engineering review.

	DUCT WIDTH						
	12" - 24"	26" - 36"	38" - 48"	50" - 60"	62" - 72"	74" - 84"	86" - 96"
<b>6" W.C.</b>	GAUGE - 16 ANGLE SIZE 1.5 X 1.5 X 3/16	GAUGE - 16 ANGLE SIZE 1.5 X 1.5 X 3/16	GAUGE - 16 ANGLE SIZE 2 X 2 X 3/16	GAUGE - 16 ANGLE SIZE 2 X 2 X 3/16	GAUGE - 16 ANGLE SIZE 2 X 2 X 3/16	GAUGE - 16 ANGLE SIZE 2 X 2 X 3/16	GAUGE - 16 ANGLE SIZE 2 X 2 X 3/16
<b>8" W.C.</b>	GAUGE - 14 ANGLE SIZE 1.5 X 1.5 X 3/16	GAUGE - 14 ANGLE SIZE 2 X 2 X 3/16	GAUGE - 14 ANGLE SIZE 2 X 2 X 3/16	GAUGE - 14 ANGLE SIZE 2 X 2 X 3/16	GAUGE - 14 ANGLE SIZE 2 X 2 X 3/16	GAUGE - 14 ANGLE SIZE 2 X 2 X 3/16	GAUGE - 14 ANGLE SIZE 2 X 2 X 3/16
<b>10" W.C.</b>	GAUGE - 12 ANGLE SIZE 1.5 X 1.5 X 3/16	GAUGE - 12 ANGLE SIZE 2 X 2 X 3/16	GAUGE - 12 ANGLE SIZE 2 X 2 X 3/16	GAUGE - 12 ANGLE SIZE 2 X 2 X 3/16	GAUGE - 12 ANGLE SIZE 2 X 2 X 3/16	GAUGE - 12 ANGLE SIZE 2 X 2 X 3/16	GAUGE - 12 ANGLE SIZE 2 X 2 X 3/16
<b>12" W.C.</b>	GAUGE - 12 ANGLE SIZE 1.5 X 1.5 X 3/16	GAUGE - 12 ANGLE SIZE 2 X 2 X 3/16	GAUGE - 12 ANGLE SIZE 2 X 2 X 3/16	GAUGE - 12 ANGLE SIZE 2 X 2 X 3/16	GAUGE - 12 ANGLE SIZE 2 X 2 X 3/16	GAUGE - 12 ANGLE SIZE 2 X 2 X 3/16	GAUGE - 12 ANGLE SIZE 2.5 X 2.5 X 3/16
<b>14" W.C.</b>	GAUGE - 12 ANGLE SIZE 1.5 X 1.5 X 3/16	GAUGE - 12 ANGLE SIZE 2 X 2 X 3/16	GAUGE - 12 ANGLE SIZE 2 X 2 X 3/16	GAUGE - 12 ANGLE SIZE 2 X 2 X 3/16	GAUGE - 12 ANGLE SIZE 2 X 2 X 3/16	GAUGE - 12 ANGLE SIZE 2 X 2 X 3/16	GAUGE - 12 ANGLE SIZE 2.5 X 2.5 X 3/16
<b>16" W.C.</b>	GAUGE - 10 ANGLE SIZE 1.5 X 1.5 X 3/16	GAUGE - 10 ANGLE SIZE 2 X 2 X 3/16	GAUGE - 10 ANGLE SIZE 2 X 2 X 3/16	GAUGE - 10 ANGLE SIZE 2 X 2 X 3/16	GAUGE - 10 ANGLE SIZE 2 X 2 X 3/16	GAUGE - 10 ANGLE SIZE 2.5 X 2.5 X 3/16	GAUGE - 10 ANGLE SIZE 2.5 X 2.5 X 3/16
<b>18" W.C.</b>	GAUGE - 10 ANGLE SIZE 2 X 2 X 3/16	GAUGE - 10 ANGLE SIZE 2 X 2 X 3/16	GAUGE - 10 ANGLE SIZE 2 X 2 X 3/16	GAUGE - 10 ANGLE SIZE 2 X 2 X 3/16	GAUGE - 10 ANGLE SIZE 2 X 2 X 3/16	GAUGE - 10 ANGLE SIZE 2.5 X 2.5 X 3/16	GAUGE - 10 ANGLE SIZE 3 X 3 X 3/16

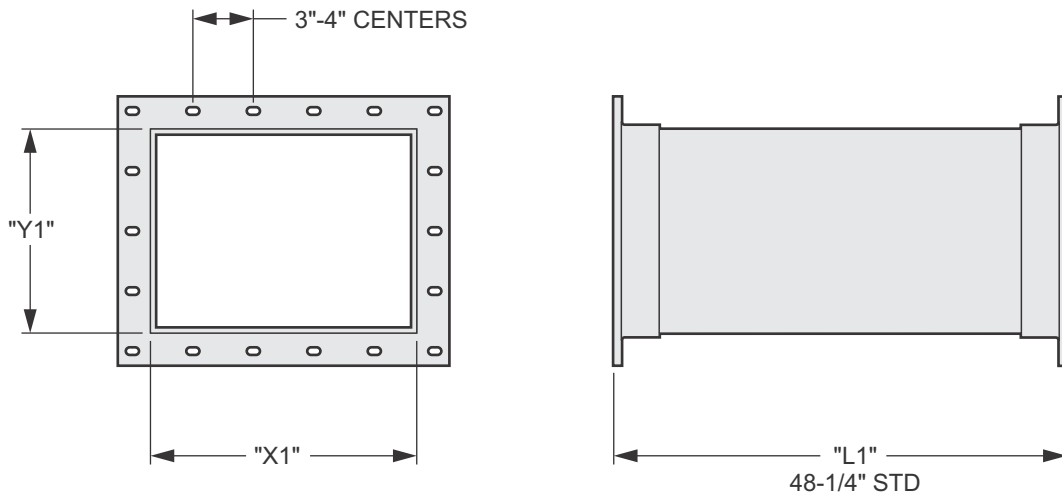
**PureGuard LLC**  
1010 South 65th Ave., No. 100, Phoenix, AZ 85043  
T 623.478.1800 / F 623.478.1860  
Email: info@pureguard2.com

This document contains confidential and proprietary information intended solely for the use of individuals or entities for reference only. The information contained herein shall not be disclosed, copied, or distributed other than for the intended purpose without express written consent of PureGuard LLC.

Fitting: **Rectangular Straight Duct**

**PureGuard II Standards**

PureGuard II is FM Approved for use without sprinklers, subject to the conditions of approval as a Fume and/or Exhaust Duct, when installed in accordance with instructions shown in the current edition of the FM Approval Guide.



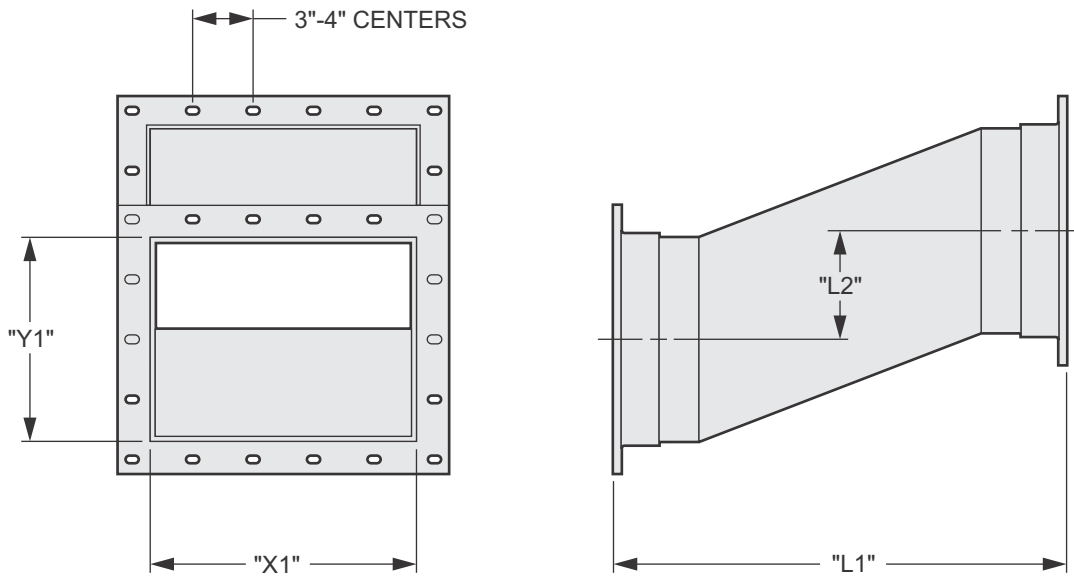
**DUCT SPECIFICATIONS:** Interior stiffener (1" SCH40 pipe) required for duct width or height over 50.0".



Fitting: **Rectangular Duct Offset**

**PureGuard II Standards**

PureGuard II is FM Approved for use without sprinklers, subject to the conditions of approval as a Fume and/or Exhaust Duct, when installed in accordance with instructions shown in the current edition of the FM Approval Guide.

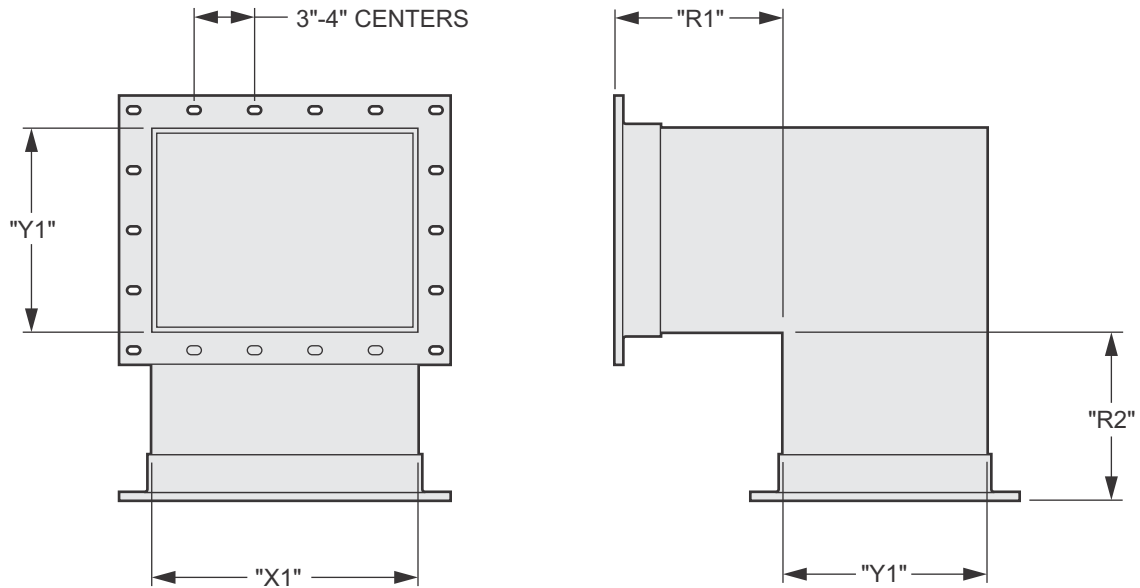


**OFFSET SPECIFICATIONS:** Interior stiffener (1" SCH40 pipe) may be required for duct width or height over 50.0".

Fitting: **Custom Rectangular Mittered Elbow**

**PureGuard II Standards**

PureGuard II is FM Approved for use without sprinklers, subject to the conditions of approval as a Fume and/or Exhaust Duct, when installed in accordance with instructions shown in the current edition of the FM Approval Guide.

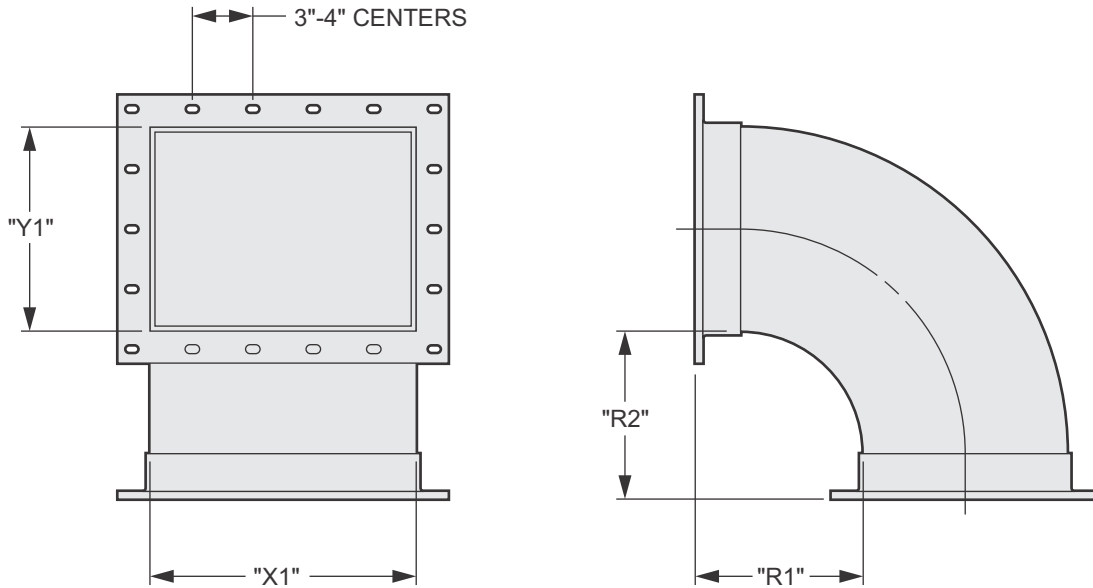


**ELBOW SPECIFICATIONS:** Interior stiffener (1" SCH40 pipe) may be required for duct width or height over 50.0".

Fitting: **Custom Rectangular Sweep Elbow**

**PureGuard II Standards**

PureGuard II is FM Approved for use without sprinklers, subject to the conditions of approval as a Fume and/or Exhaust Duct, when installed in accordance with instructions shown in the current edition of the FM Approval Guide.

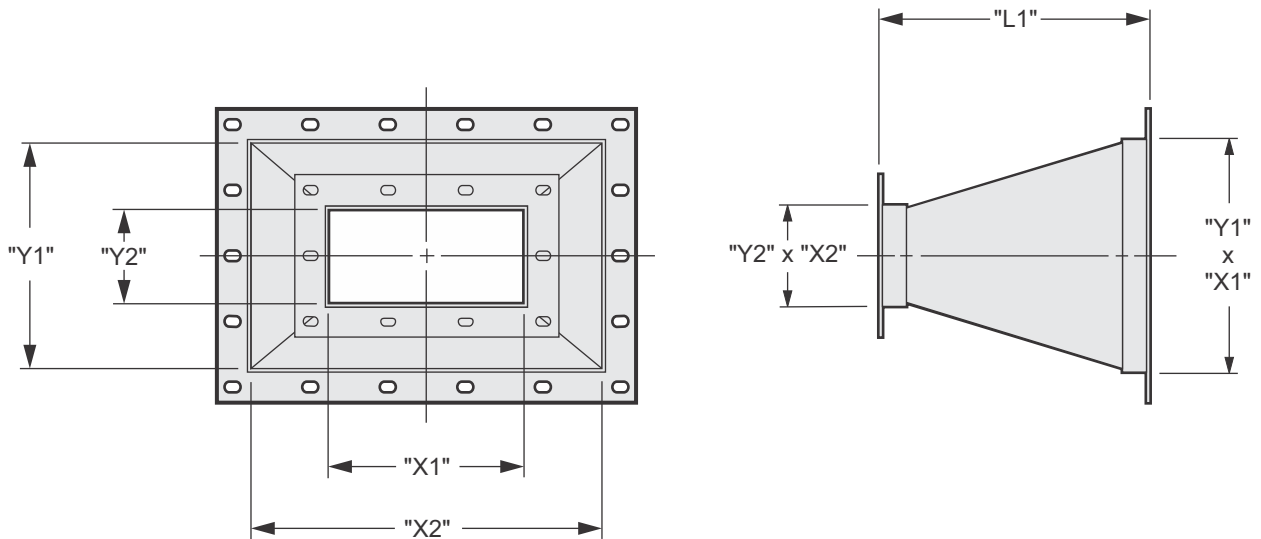


**ELBOW SPECIFICATIONS:** Interior stiffener (1" SCH40 pipe) may be required for duct width or height over 50.0".

Fitting: **Concentric Transition**

**PureGuard II Standards**

PureGuard II is FM Approved for use without sprinklers, subject to the conditions of approval as a Fume and/or Exhaust Duct, when installed in accordance with instructions shown in the current edition of the FM Approval Guide.

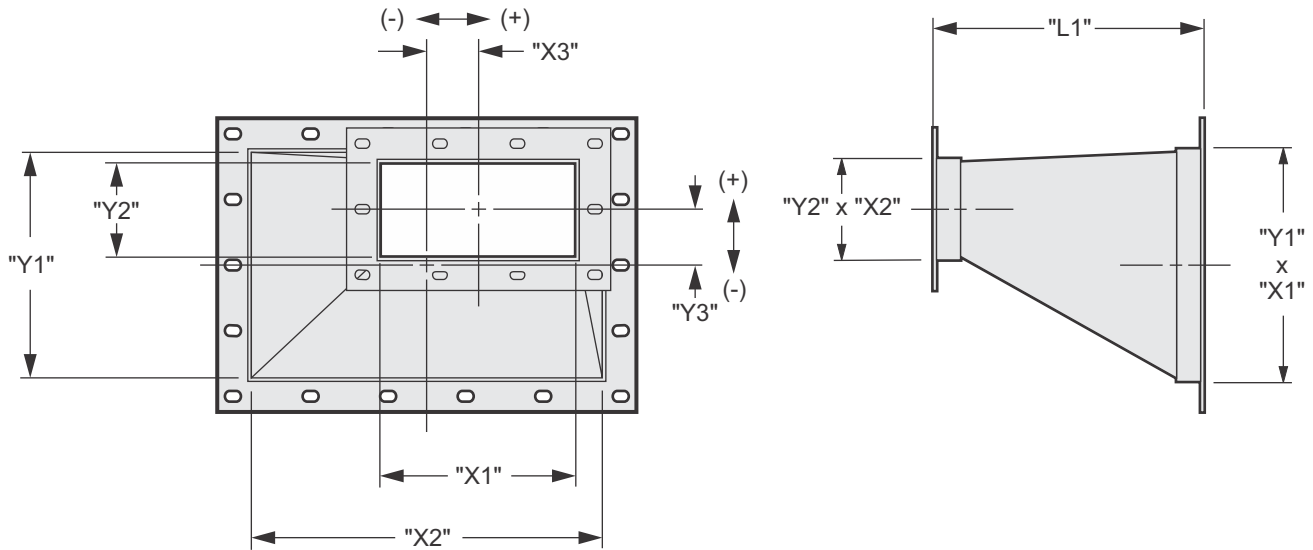


**DUCT SPECIFICATIONS:** Interior stiffener (1" SCH40 pipe) may be required for duct width or height over 50.0".

Fitting: **Eccentric Transition**

**PureGuard II Standards**

PureGuard II is FM Approved for use without sprinklers, subject to the conditions of approval as a Fume and/or Exhaust Duct, when installed in accordance with instructions shown in the current edition of the FM Approval Guide.

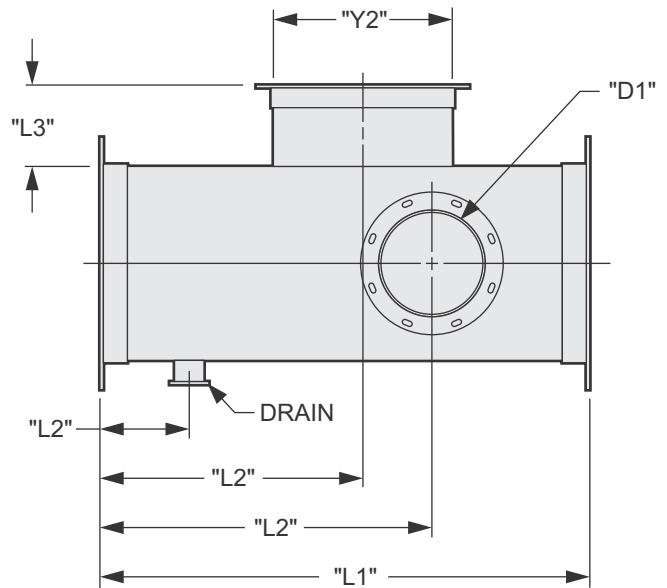
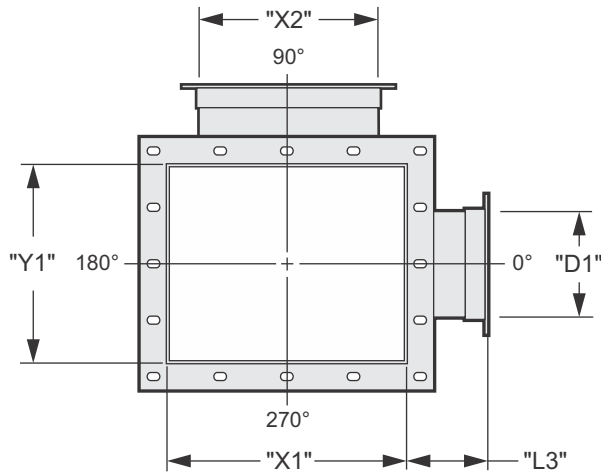


**DUCT SPECIFICATIONS:** Interior stiffener (1" SCH40 pipe) may be required for duct width or height over 50.0".

Fitting: **Rectangular Duct with Multiple Tap Styles**

**PureGuard II Standards**

PureGuard II is FM Approved for use without sprinklers, subject to the conditions of approval as a Fume and/or Exhaust Duct, when installed in accordance with instructions shown in the current edition of the FM Approval Guide.

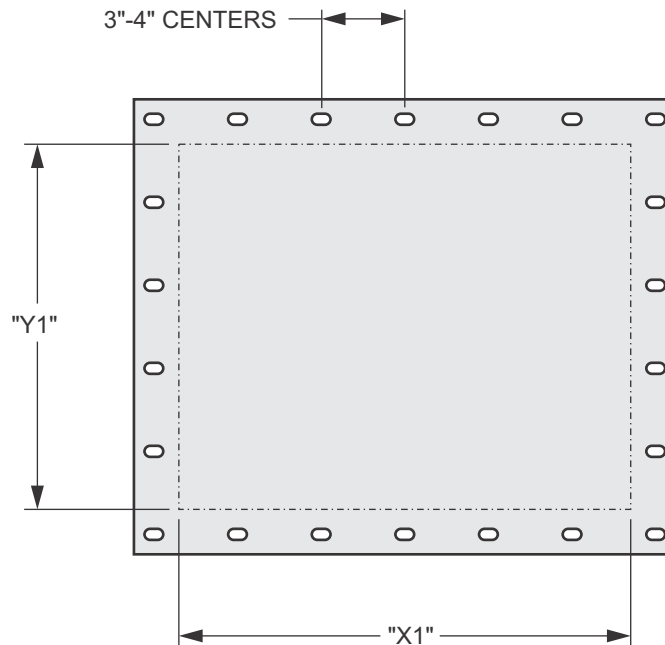


**DUCT SPECIFICATIONS:** Interior stiffener (1" SCH40 pipe) may be required for duct width or height over 50.0".

Fitting: **Rectangular End Cap**

**PureGuard II Standards**

PureGuard II is FM Approved for use without sprinklers, subject to the conditions of approval as a Fume and/or Exhaust Duct, when installed in accordance with instructions shown in the current edition of the FM Approval Guide.

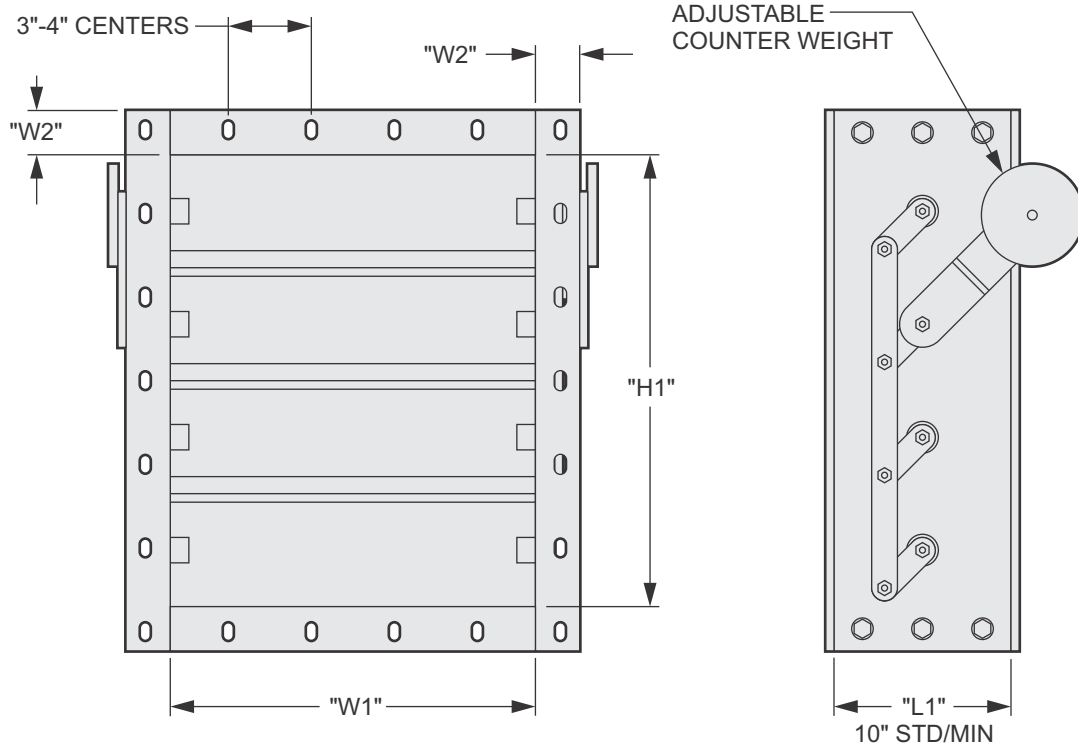


**END CAP SPECIFICATIONS:** A support stiffener may be required for end cap sizes over a width or height of 50.0".

Fitting: **Parallel Blade Backdraft Damper**

**PureGuard II Standards**

PureGuard II is FM Approved for use without sprinklers, subject to the conditions of approval as a Fume and/or Exhaust Duct, when installed in accordance with instructions shown in the current edition of the FM Approval Guide.



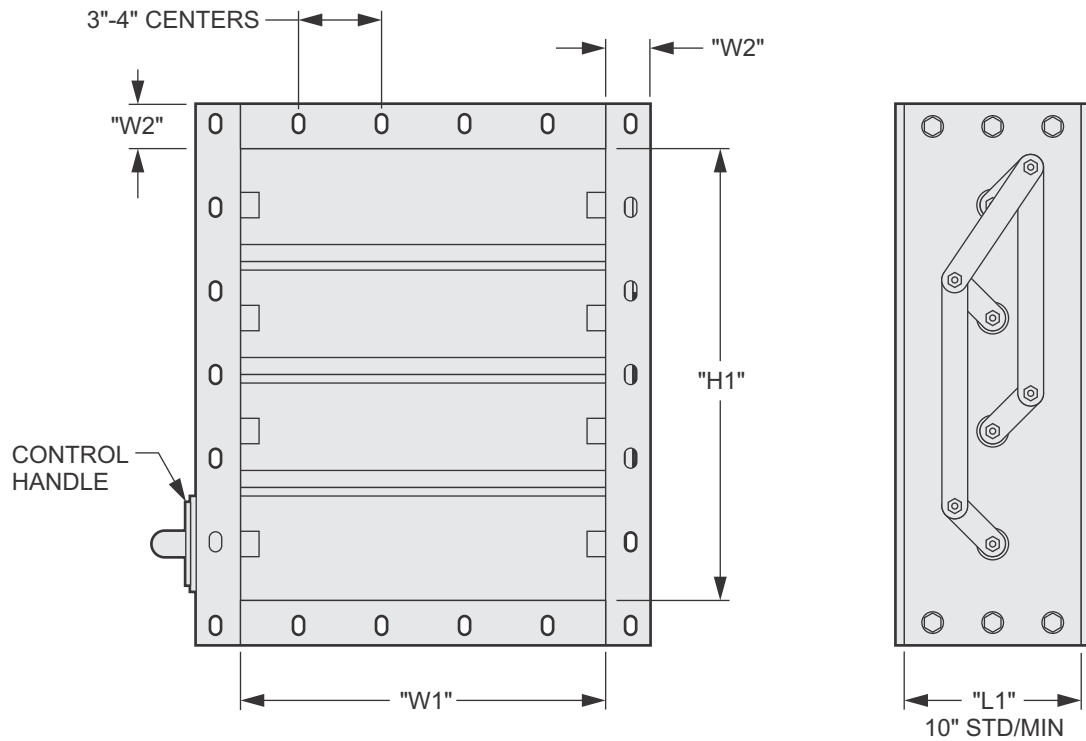
**DAMPER SPECIFICATIONS:** Standard flange width ("W2") is 2".



Fitting: **Opposed Blade Rectangular Damper**

**PureGuard II Standards**

PureGuard II is FM Approved for use without sprinklers, subject to the conditions of approval as a Fume and/or Exhaust Duct, when installed in accordance with instructions shown in the current edition of the FM Approval Guide.



**DAMPER SPECIFICATIONS:** Standard flange width ("W2") is 2".